



---

**LITESTAR**

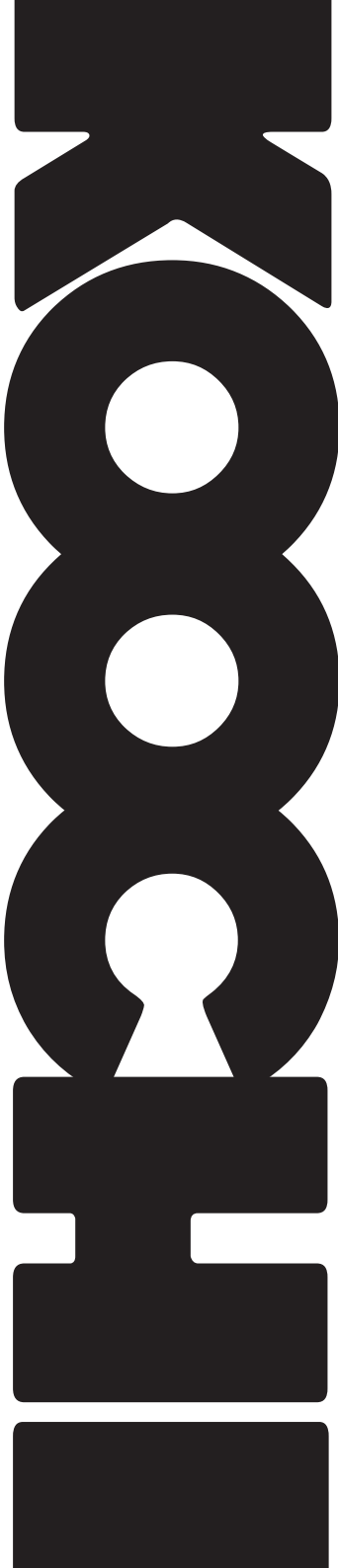
---

TRAVEL SYSTEM

---

**GET IN. GET OUT.**

---





# **IMPORTANT: KEEP THESE INSTRUCTIONS FOR FUTURE REFERENCE**

**Read these instructions carefully. Your child's safety may be affected if you do not follow these instructions**

## WELCOME

---

Thank you for choosing a Koochi product. Please take a little time to read the important safety notes detailed below. This will ensure many years of happy, safe use.

## SAFETY: TAKE NOTE

---

### **WARNING: A CHILDS SAFETY IS YOUR RESPONSIBILITY**

- **WARNING:** Never leave your child unattended.
- **WARNING:** Ensure that all the locking devices are engaged before use.
- **WARNING:** To avoid injury ensure that your child is kept away when unfolding and folding this product.
- **WARNING:** Do not let your child play with this product.
- **WARNING:** Always use the restraint system.
- **WARNING:** Check that the seat unit or car seat attachment devices are correctly engaged before use.
- **WARNING:** This product is not suitable for running or skating.
- This vehicle is intended for children from birth up to a maximum user weight of 15kg.
- The most reclined position is recommended for new born babies until ready to progress to more upright position. (e.g. this may be when they can sit up unaided).
- This product is only compatible with Upstart car seat (sold separately).
- The child should be clear of moving parts while making adjustments. This vehicle requires regular maintenance by the user.
- Do not use replacement parts or accessories other than those approved by Koochi as they may render the pushchair unsafe.
- Overloading, incorrect folding, and the use of non-approved accessories or spare parts may damage or break this pushchair and could render the product unsafe. Read the instructions.
- A basket is provided for the carriage of 2kg of goods, evenly distributed.
- The mesh pocket at the rear of the backrest is only intended for storage of raincover.
- A KitBit bag is provided, which is designed to hang on the chassis handle, is provided for carriage of 1 kg of items, evenly distributed.
- Any additional load attached to the handle and/or on the back of the backrest and/or on the sides of the vehicle will affect the stability of the vehicle.
- Do not use a platform with this product as it may render the product unsafe.
- Never leave raincovers on indoors, in a hot atmosphere or near a heat source as the baby could overheat.
- Ensure all users are familiar with the products operation. It should always open and fold easy. If it does not, do not force the mechanism - stop and read the instructions.
- Do not use your pushchair in a manner for which it is not designed.
- Ensure your child wears a correctly fitted and adjusted harness at all times. D-rings are

provided on the existing harness for the attachment of a separate safety harness approved to BS EN 13210 should this be required.

- Do not allow your child to climb unassisted into, play with or hang onto your pushchair.
- Always apply the brakes when the pushchair is stationary. Hold on to your pushchair when close to moving road vehicles or trains. Even with the brake on the draught from the vehicle may move the pushchair.
- Always ensure that the brake is engaged when placing and removing the child from the pushchair.
- Exercise caution when mounting or dismounting a kerb. Remove your child and fold the pushchair when ascending or descending stairs or escalators.
- Ensure the folded pushchair is stored away from children so that it does not fall and cause injury.
- Never carry a second child on the product.
- This product complies with BS EN 1888:2012.

## CAR SEAT (SOLD SEPARATELY)

---

- When car seat is used in conjunction with the chassis, this product does not replace a cot or a bed. Should your child need to sleep, then it should be placed in suitable cot, bed or carry cot.
- Koochi recommend that the child should always be facing the parent when the car seat is fitted to the chassis.

## TETHER STRAP

---

- The tether strap is intended to help keep the pushchair close to the user. It is for adult use only.
- The tether strap should not be used as a leading rein or wrist strap for children. Doing so could be dangerous.
- Hanging items from the tether strap will affect your pushchair's stability.
- Only use the tether strap for the purpose for which it is intended.

## LIST OF PARTS

---

Your pushchair is supplied in one carton.

- |  |                               |
|--|-------------------------------|
| 1. Pushchair chassis                     | 7. Apron                      |
| 2. Rear wheel x2                         | 8. Bumper bar                 |
| 3. Front wheel x2                        | 9. Car Seat mounting adaptors |
| 4. Seat unit (Bumper bar cap pre-fitted) | 10. Tether strap              |
| 5. Hood                                  | 11. KitBit                    |
| 6. Raincover                             |                               |

### 1. OPENING THE PUSHCHAIR

Lay the chassis on clean floor as shown.

Release the autocatch (a).

Lift the chassis at the handle hinge (b) until the chassis 'clicks' and locks in the open position (c).

**WARNING:** Ensure that all locking devices are engaged before use.

## 2. RAISING THE HANDLE

To open the handle, push the buttons on the inside of each handle hinge with your thumbs (a) and turn the handle outwards (b) from closed position. To close the handle is the reversal of this step.

**WARNING:** Ensure that all locking devices are engaged before use.

## 3. ADJUSTING THE HANDLE POSITION

The handle has 4 positions and a closed position use solely for folding of chassis.

## 4. FITTING AND REMOVING THE REAR WHEELS

Push one of the rear wheels into the chassis leg (a) until it locks in place. Pull the wheel back slightly to check it's secure.

Repeat this procedure with the remaining rear wheel.

To remove the rear wheel, pull the lever (b) under the chassis leg then pull the rear wheel off (c).

## 5. FITTING AND REMOVING THE FRONT WHEELS

Push one of the front wheels into the base of the front wheel housing (a) at the front of the chassis.

Repeat this procedure with the remaining front wheel.

To remove the front wheel, press the button (b) on the side of the front wheel housing then pull the front wheel off (c).

## 6. USING THE SWIVEL LOCK

To apply the swivel lock, press down the lever (a). Swivel the wheel until it locks in the forward facing position. The wheel will now only travel straight ahead (b).

Lift the lever (c) to release the lock. The wheel will now swivel from side to side (d).

## 7. USING THE BRAKE

To apply the brake, press the lever down firmly with your foot (a). Test the brake is engaged correctly by trying to push the pushchair forwards for a short distance. To release the brake, raise the lever (b).

**NOTE: Always ensure that the brake is engaged when placing and removing the child from the pushchair.**

## 8. REMOVING THE BASKET

There is a zipped compartment (a) at the rear of the basket.

To remove the basket release the 4 poppers at the rear (b), 2 poppers at the front (c) and one each side (d) of the pushchair.

Reverse this procedure to refit the basket.

## 9. FOLDING THE PUSHCHAIR

Fold the handle to the folding position (a). (See Step 2).

Press down on the unlocking lever (b) with your foot at the same time push the handle hinges downwards (c).

Fold the pushchair until the autocatch locks the pushchair in the closed position (d).

Note: When folding with the seat unit attached, the seat unit must be fitted to chassis forward facing and recline to its most upright position.

## 10. FITTING AND REMOVING THE SEAT UNIT

Place the seat unit on to the mounting points on each side of the chassis. Push down (a) until a "click" is heard and the mountings are locked in place.

To remove the seat unit from the chassis, press the buttons on each side of the mountings (b)

then lift the seat unit free (c).

Note: The seat unit can be fitted forwards or rearwards facing.

#### 11. FITTING THE HOOD

To attach the hood to the chassis, slide the hood mounting block into the chassis receiver (a) as per marking (b) and fasten the zip unit (c).

Removal of the hood is the reversal of this step.

Note: Unfasten the zip around the pushchair frame BEFORE removing the hood.

#### 12. USING THE HOOD -1

Pull the hood forward (a) to the open position.

Push the hood back to close (b).

To extend the hood further unfasten the zip (c) and pull the hood forward (d). Push the hood back and refasten the zip to close the extension.

#### 13. USING THE HOOD -2

To retract the sunvisor push down in the centre (a) until the sunvisor folds back inside the hood.

To raise the sunvisor pull the sunvisor forwards and up (b) until it locks in place.

To access the window in the hood lift the flap (c). Pull the flap back (d) to hide the window.

#### 14. USING THE HARNESS

A five point harness is provided to restrain your child.

To fasten the harness push the shoulder strap clips onto the waist strap clips (a) then push the waist strap clips into the buckle until they lock in place (b).

To unfasten push the button in the centre of the buckle (c) then pull the waist straps clear.

The harness should be carefully adjusted so your child fits comfortably. The length of the shoulder straps can be changed by the strap adjusters (d). The waist straps can be adjusted by pressing in the buttons (e) on the waist strap clips and the strap adjusters (f).

'D' rings are fitted should you wish to attach a separate harness complying to BS EN 13210.

To adjust the shoulder strap height locate the strap ends (g) and pass through the slots, reposition to the desired height and pass the strap ends back through relevant slot.

To remove the harness locate the strap ends (g) and pass through the slots. Under the seat, pass the crotch strap end through its slot (h). To remove the waist straps, at the rear of the seat, unfasten the webbing by feeding the end through the opening in the metal clip (i). The harness can now be removed from the seat.

Refitting the harness is a reversal of this procedure.

To remove or fit the chest pads unclip the buckle and remove the shoulder strap clips from the waist strap clips and slide the chest pads on or off the straps.

**WARNING:** Always use the crotch strap in combination with the waist belt.

#### 15. ADJUSTING THE HEIGHT OF THE BACKREST

The adjuster to recline and raise the backrest is located at the rear of the backrest.

To recline the backrest grasp the adjuster with your thumb and forefinger as shown. Pull the adjuster towards you (a). Release your fingers from the adjuster when the backrest is in the desired position. The backrest should automatically lock in position.

To raise the backrest pull the rings at the end of the adjuster belts at right angles to the adjuster (b & c) until the backrest is to the desired position. The backrest will lock in position.

## 16. ADJUSTING THE FOOTREST

To adjust the position of the footrest press the buttons (a) on each side of the pushchair. Raise (b) or lower (c) the footrest to the desired position. When the buttons are released the footrest will lock in position.

## 17. FITTING THE BUMPER BAR

Note: The bumper bar caps are pre-fitted on the seat unit.

To remove the bumper cap, press the buttons under the mounts (a) then pull the cap free (b). Please retain the caps and fit whenever the bumper bar is not in use.

To fit the bumper bar push the pins at each end into the mounts on the pushchair frame (c).

To remove the bumper bar press the buttons under the mounts (d) then pull the bumper bar free (e).

Before placing your child in the push chair seat, open the bumper bar to gain access. Press the button on one side and lift the bumper bar end off the mounting. At the other end swivel the bumper bar to one side (f).

Refit the bumper bar when your child is securely fastened in the seat.

To refit the bumper bar caps, push fit push the pins under each bumper bar cap into the mounts on the pushchair frame (g).

## 18. USING THE APRON

**New born position:** Place the apron on the seat and fold the top section of the apron. Secure the folded section by popper (a). Slide the bottom of apron under the footrest (b). Fasten the side poppers on the footmuff flap to the side of the pushchair cover (c).

**Older child mode:** (When the has child outgrown the new born apron position). Place the apron on the seat. Slide the bottom of apron under the footrest (d) and wrap the top flap over the bumper bar (e). Fasten the two poppers (f) to secure the apron.

## 19. REMOVING THE SEAT UNIT LINER

Unfasten the harness and remove the chest pads and crotch pad (a) (See step 14).

Push the shoulder straps (b), the waist straps (c) and the crotch strap (d) through the slots in the seat unit liner then lift the liner off the seat unit.

Refitting the seat unit liner is a reversal of this procedure.

## 20. FITTING THE SEAT RAINCOVER

To attach the raincover, fit the lower section over the footrest (a) and lay the raincover over the pushchair hood as shown (b).

There are zips (c) located on the front of raincover for easy access to your child.

## 21. MESH POCKET

A mesh pocket is located at the rear of the seat for storage of raincover only. To open the pocket, squeeze the toggle (a) then pull the toggle out to (b). To close the pocket hold the ends of the string, squeeze the toggle and push the toggle towards the pocket (c).

## 22. ATTACHING THE KITBIT

Wrap the straps around the handle as shown. The straps are secured first by the fabric fastener (a) and then the poppers (b).

Maximum weight: 1kg.

### 23. FITTING AND REMOVING THE UPSTART CAR SEAT (SOLD SEPARATELY)

Note: The child car seat mounting adaptors are supplied with the Litestar TS.

Fit the top section of mounting adaptors to the mounts on each side of the child car seat. Push in until a 'click' is heard and the mounting adaptors lock in place (a).

Note: The mounting adaptors are handed and can only be fitted one way. The release buttons should be pointing towards the hood end of the child car seat.

Align the child car seat, rearward facing, with the chassis receiver and push down until a 'click' is heard from each side and the child car seat locks in place (b).

To remove the child car seat from the chassis, while standing in front of the chassis, first press the left release button (c). The button has memory function and will stay disengaged until car seat is removed. Secondly, press the right release button with one hand and lift the child car seat away from chassis by its handle (d)

To remove the car seat adaptors press the release buttons on the child car seat (e) and pull the mounting adaptors clear. Store the mounting adaptors in a safe place for future use.

### 24. USING TETHER STRAP

A tether strap is included with your pushchair. This can be used to attach the pushchair to the user's wrist for added security.

To attach the strap, loop the end around the handle bar, threading it through the plastic ring provided.

## CARE

---

Your pushchair has been designed to meet safety standards and with correct use and maintenance will give many years of trouble free performance.

The chassis is strong but will weaken should the rear wheels be bumped down stairs or kerbs. Continual impact will cause damage.

If your child wears hard shoes these might damage the soft fabric.

Storing a damp pushchair will encourage mildew to form.

After exposure to damp conditions, dry off with a soft cloth, open fully and allow to dry thoroughly before storing.

Store your pushchair in a dry, safe place.

Do not leave the pushchair in sunlight for prolonged periods - some fabrics may fade.

## MAINTENANCE

---

This pushchair requires regular maintenance by the user.

Koochi products are designed to operate with minimum maintenance, however regular lubrication of moving parts will extend the life of your pushchair and make opening and folding easier.

Should parts of your pushchair become stiff or difficult to operate, apply a light application of a spray lubricant e.g. silicone. Do not use oil or grease.

Regularly inspect the locking devices, brakes, wheels, harness assembly, catches, seat adjusters, joints and fixtures to ensure they are secure and in full working order. They should be free to move at all times.

Brakes and wheels are subject to wear and should be replaced if necessary.

Your pushchair should be serviced and reconditioned before using it for a second baby, or within 18 months, whichever is the sooner.

## CLEANING

---

The hood may be cleaned by sponging lightly using warm water and a mild detergent.

Plastic and metal parts may be sponged clean with warm water and a mild detergent.

Never clean with abrasive, ammonia based, bleach based or spirit type cleaners.

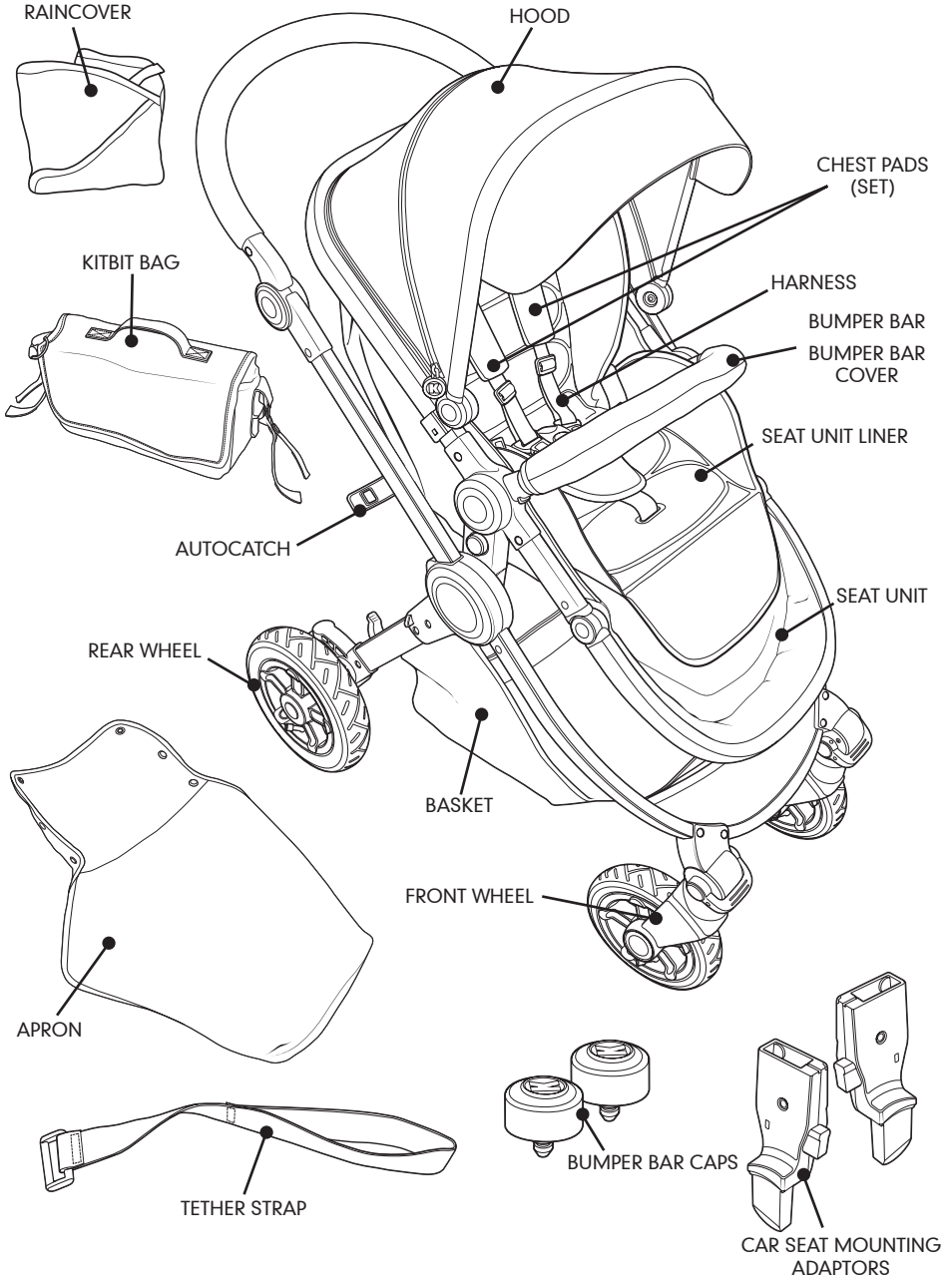
Please follow the wash care instructions stated on the wash care label located on the soft goods.



# REPLACEMENT PARTS

---

The replacement parts shown below are available for your product. In the event that you require any of these parts, please contact us at [spares@koochi.co.uk](mailto:spares@koochi.co.uk)





# **IMPORTANTE: CONSERVE ESTAS INSTRUCCIONES PARA CONSULTARLAS EN EL FUTURO**

**Lea atentamente estas instrucciones. La seguridad del niño  
podría verse afectada de no seguir estas instrucciones.**

## BIENVENIDO

---

Gracias por elegir un producto Koochi. Invierta cierto tiempo en leer las notas de seguridad importantes que se detallan a continuación. Dichas instrucciones le garantizarán muchos años de uso satisfactorio y seguro.

## SAFETY: TAKE NOTE

---

### **ADVERTENCIA: LA SEGURIDAD DEL NIÑO ES SU RESPONSABILIDAD**

- **ADVERTENCIA:** No deje al niño desatendido.
- **ADVERTENCIA:** Asegúrese de que todos los dispositivos de bloqueo estén accionados antes de su uso.
- **ADVERTENCIA:** Para evitar lesiones, asegúrese de que el niño se mantenga alejado al desplegar y plegar este producto.
- **ADVERTENCIA:** No deje que el niño juegue con este producto.
- **ADVERTENCIA:** Utilice siempre el sistema de sujeción.
- **ADVERTENCIA:** Compruebe que los dispositivos de acoplamiento de la unidad del asiento o de la silla para coche estén debidamente accionados antes de su uso.
- **ADVERTENCIA:** Este producto no es adecuado para correr o patinar.
- Este asiento está previsto para niños desde su nacimiento hasta un usuario de un peso máximo de 15 kg.
- En el caso de recién nacidos, se recomienda poner el asiento en la posición más reclinada hasta que el recién nacido pueda sentarse en una posición más erguida (por ejemplo, hasta que pueda sentarse incorporado sin ayuda).
- Este producto solo es compatible con la silla para coche Upstart (se vende por separado).
- El niño deberá mantenerse alejado de las piezas móviles del producto durante la realización de ajustes. Este producto precisa de un mantenimiento periódico por parte del usuario.
- No utilice piezas de sustitución o accesorios que no estén homologados por Koochi, ya que podría poner en peligro la seguridad de la silla de paseo.
- La sobrecarga, un plegado incorrecto y el uso de accesorios o piezas de repuesto no homologados pueden dañar o romper la silla de paseo y poner en peligro la seguridad del usuario del producto. Lea las instrucciones.
- Se facilita una cesta para transportar hasta 2 kg de artículos, homogéneamente distribuidos.
- El bolsillo de red de la parte trasera del respaldo está previsto solo para guardar el protector para lluvia.
- Se proporciona un KitBit, diseñado para llevarlo en el manillar del chasis, para transportar hasta 1 kg de artículos, homogéneamente distribuidos.
- Cualquier carga adicional fijada al manillar y/o la parte trasera del respaldo y/o los laterales de la silla de paseo afectará a la estabilidad de esta.

- No utilice una plataforma con este producto, ya que podría poner en peligro la seguridad del usuario del mismo.
- No deje colocados los protectores para lluvia en interiores, en una atmósfera calurosa o junto una fuente de calor, ya que el bebé podría quedar expuesto a temperaturas extremas.
- Asegúrese de que todos los usuarios estén familiarizados con el funcionamiento del producto. La apertura y plegado deben resultar fáciles siempre. En caso contrario, no fuerce el mecanismo y deténgase a leer las instrucciones.
- No utilice la silla de paseo de una forma para la que no esté diseñada.
- Asegúrese de que el niño lleve el arnés correctamente ajustado en todo momento. El arnés existente incorpora anillas «D» para fijar, en caso de que sea necesario, un arnés de seguridad independiente homologado según la norma BS EN 13210.
- No permita que el niño se suba sin ayuda, juegue o se cuelgue de la silla de paseo.
- Siempre que la silla de paseo esté en posición estacionaria, aplique los frenos. Sujete la silla de paseo cuando esté cerca de vehículos o trenes en movimiento. Incluso con el freno accionado, la corriente de aire del vehículo podría mover la silla de paseo.
- Antes de colocar o retirar al niño de la silla de paseo, asegúrese siempre de que el freno esté aplicado.
- Tenga cuidado al subir o bajar un bordillo. Saque al niño y pliegue la silla de paseo al subir o bajar por escaleras o escaleras mecánicas.
- Asegúrese de guardar la silla de paseo plegada y alejada de los niños, de modo que una posible caída no pueda ocasionarles lesiones.
- No lleve nunca un segundo niño en el producto.
- Este producto cumple la norma BS EN 1888:2012.

## SILLA PARA COCHE (SE VENDE POR SEPARADO)

---

- Aunque la silla para coche se use acoplada al chasis, este producto no sustituye a una cuna o una cama. Si el niño necesita dormir, deberá colocarlo en una cuna, cama o capazo adecuado.
- Koochi recomienda que el niño esté siempre mirando hacia los padres cuando la silla para coche esté colocada en el chasis.

## CORREA DE ANCLAJE

---

- La correa de anclaje está prevista para ayudar a mantener la silla de paseo cerca del usuario. Solo para uso de adultos.
- La correa de anclaje no debe usarse como rienda o correa de muñeca para niños. Hacerlo podría ser peligroso.
- Colgar artículos de la correa de anclaje afectará a la estabilidad de la silla de paseo.
- Utilice la correa de anclaje solo para el propósito previsto.

## LISTA DE PIEZAS

---

La silla de paseo se entrega en una caja de cartón.

1. Chasis de la silla de paseo
2. Rueda trasera (2 unidades)
3. Rueda delantera (2 unidades)
4. Unidad del asiento (tapa de la barra protectora precolocada)
5. Capota
6. Cubierta
7. Protector para lluvia
8. Barra protectora
9. KitBit
10. Adaptadores de los soportes de montaje de la silla para coche
11. Correa de anclaje

### 1. DESPLIEGUE DE LA SILLA DE PASEO

Coloque el chasis en una superficie limpia como se muestra.

Libere el pestillo automático (a).

Levante el chasis por la bisagra del manillar (b) hasta que el chasis haga «clíc» y se bloquee en la posición abierta (c).

**ADVERTENCIA:** Asegúrese de que todos los dispositivos de bloqueo estén accionados antes del uso del producto.

### 2. ELEVACIÓN DEL MANILLAR

Para abrir el manillar, apriete los botones del interior de cada bisagra del manillar con los pulgares (a) y gire el manillar hacia afuera (b) desde la posición cerrada. Para cerrar el manillar, realice el paso en orden inverso.

### 3. AJUSTE DE LA POSICIÓN DEL MANILLAR

El manillar tiene 4 posiciones y una posición cerrada que se usa solo para plegar el chasis.

### 4. MONTAJE Y DESMONTAJE DE LAS RUEDAS TRASERAS

Presione una de las ruedas traseras contra la pata del chasis (a) hasta que se bloquee en la posición correcta. Tire un poco de la rueda hacia atrás para comprobar que esté asegurada.

Repita el mismo procedimiento con la otra rueda trasera.

Para quitar la rueda trasera, tire de la palanca (b) de debajo de la pata del chasis y luego saque la rueda trasera (c).

### 5. MONTAJE Y DESMONTAJE DE LAS RUEDAS DELANTERAS

Presione una de las ruedas delanteras en la base del bastidor de la rueda delantera (a) de la parte frontal del chasis.

Repita el procedimiento con la otra rueda delantera.

Para extraer la rueda delantera, tire el botón (b) del lateral del bastidor de la rueda delantera y, a continuación, saque la rueda delantera (c).

### 6. USO DEL BLOQUEO DE GIRO

Para aplicar el bloqueo de giro, presione la palanca (a). Gire la rueda hasta que se bloquee en posición orientada hacia delante. Ahora la rueda solo irá hacia el frente (b).

Suba la palanca (c) para liberar el bloqueo. Ahora la rueda girará de un lado a otro (d).

## 7. USO DEL FRENO

Para aplicar el freno, presione con firmeza la palanca con el pie (a). Compruebe si el freno está accionado correctamente intentando empujar la silla de paseo hacia delante una distancia corta. Para liberar el freno, suba la palanca (b).

**NOTA: Antes de colocar o retirar al niño de la silla de paseo, asegúrese siempre de que el freno esté accionado.**

## 8. USO DE LA CESTA

En la parte trasera de la cesta hay un compartimento con cremallera (a).

Para extraer la cesta, libere los 4 botones de presión de la parte trasera (a), los 2 de la parte delantera (b) y uno de cada lateral de la silla de paseo (c).

Realice este procedimiento en orden inverso para volver a colocar la cesta.

## 9. PLEGADO DE LA SILLA DE PASEO

Pliegue el manillar hasta la posición de plegado (a). (Vea el paso 2).

Presione la palanca de desbloqueo (b) con el pie a la vez que empuja las bisagras del manillar hacia abajo (c).

Pliegue la silla de paseo hasta que el pestillo automático bloquee la misma en la posición de cerrado (d).

Nota: Cuando pliegue la silla de paseo con la unidad del asiento colocada, dicha unidad debe estar sujeta al chasis y orientada hacia delante en la posición reclinada más vertical.

## 10. MONTAJE Y DESMONTAJE DE LA UNIDAD DEL ASIENTO

Coloque la unidad del asiento en los puntos de los soportes de montaje de cada lateral del chasis. Presione (a) hasta que escuche un «clic» y los soportes de montaje queden bloqueados en la posición correcta.

Para retirar la unidad del asiento del chasis, presione los botones de cada lateral de los soportes de montaje (b) y , a continuación, levante la unidad del asiento hasta que quede suelta (c).

Nota: La unidad del asiento se puede colocar orientada hacia delante o hacia atrás.

## 11. INSTALACIÓN DE LA CAPUCHA

Para sujetar la capota al chasis, deslice el bloque del soporte de montaje de la capota en el receptor del chasis (a) como por marcado (b) y abroche la cremallera (c).

La retirada de la capota se lleva a cabo siguiendo este paso en orden inverso.

Nota: Desabroche la cremallera alrededor del marco de la silla de paseo ANTES de quitar la capota.

## 12. USO DE LA CAPOTA (1)

Tire de la capota hacia delante (a) hasta la posición abierta.

Empuje la capota hacia atrás para cerrarla (b).

Para desplegar más la capota, desabroche la cremallera (c) y tire de la capota hacia delante (d).

Empuje la capota hacia atrás y vuelva a abrochar la cremallera para cerrar la extensión.

## 13. USO DE LA CAPOTA (2)

Para replegar la visera parasol, presione en el centro (a) hasta que la visera parasol se pliegue dentro de la capota.

Para levantar la visera parasol, tire de ella hacia delante y hacia arriba (b) hasta que se bloquee en la posición correcta.

Para acceder a la ventana de la capota, levante la solapa (c). Tire de la solapa hacia atrás (d) para tapan la ventana.

#### 14. USO DEL ARNÉS

Se facilita un arnés de 5 puntos para sujetar al niño.

Para abrochar el arnés, presione los clips de las correas de los hombros hacia los clips de las correas de la cintura (a) y, a continuación, los clips de las correas de la cintura en la hebilla hasta que se bloqueen en la posición correcta (b).

Para desabrocharlo, presione el botón del centro de la hebilla (c) y, a continuación, tire de las correas de la cintura para retirarlas.

El arnés debe ajustarse cuidadosamente para que el niño quede sujeto de forma cómoda. La longitud de las correas de los hombros puede modificarse por medio de los ajustadores de las correas (d). Las correas de la cintura pueden ajustarse pulsando los botones (e) de los clips de las correas de la cintura y los ajustadores de las correas (f).

Para ajustar la altura de la correa del hombro, coja los extremos de la correa (g) y páselos por las ranuras, ajuste a la altura deseada y vuelva a pasar los extremos de la correa por la ranura pertinente.

Para quitar el arnés, coja los extremos de la correa (g) y páselos por las ranuras. Pase el extremo de la correa de la entrepierna por la ranura situada debajo del asiento (h). Para retirar las correas de la cintura, en la parte trasera del asiento, desabroche la cinta pasando el extremo por la abertura del clip metálico (i). Ahora se puede quitar el arnés del asiento.

Vuelva a colocar el arnés siguiendo este procedimiento en orden inverso.

La unidad incorpora anillas «D» en el extremo de cada correa de la cintura para fijar, en caso de que sea necesario, un arnés de seguridad independiente homologado según la norma BS EN 13210.

Para retirar o colocar las almohadillas para el pecho, desabroche la hebilla y quite los clips de la correa del hombro de los clips de la correa de la cintura y deslice las almohadillas para el pecho en las correas o fuera de las mismas.

**ADVERTENCIA:** Utilice siempre la correa de la entrepierna junto con la correa de la cintura.

#### 15. AJUSTE DE LA ALTURA DEL RESPALDO

El ajustador para reclinar y subir el respaldo se encuentra en la parte trasera del respaldo.

Para reclinar el respaldo, agarre el ajustador con el pulgar y el índice como se muestra. Tire del ajustador hacia usted (a). Retire los dedos del ajustador cuando el respaldo se encuentre en la posición deseada. El respaldo se bloqueará en esa posición.

Para levantar el respaldo, tire de las anillas del extremo de las correas ajustadoras en ángulo recto con el ajustador (b y c) hasta que el respaldo esté levantado en la posición deseada. El respaldo se bloqueará en esa posición.

#### 16. AJUSTE DEL REPOSAPIÉS

Para ajustar la posición del reposapiés, pulse los botones (a) de cada lateral de la silla de paseo. Suba (b) o baje (c) el reposapiés hasta la posición deseada. Cuando se liberen los botones, el reposapiés se bloqueará en esa posición.

#### 17. COLOCACIÓN DE LA BARRA PROTECTORA

Nota: Las tapas de la barra protectora están precolocadas en la unidad del asiento.

Para retirar la tapa de la barra protectora, presione los botones de debajo de los soportes de montaje (a) y, a continuación, tire de la tapa hasta que esté suelta (b). Por favor, guarde las tapas y colóquelas cuando la barra protectora no se esté utilizando.

Para colocar la barra protectora, presione los pasadores de cada extremo de los soportes de montaje del marco de la silla de paseo (c).

Para retirar la barra protectora, presione los botones de debajo de los soportes de montaje (d) y, a continuación, tire de la barra protectora hasta que quede suelta (e).

Antes de colocar al niño en el asiento de la silla de paseo, abra la barra protectora para acceder mejor. Presione el botón de un lateral y saque el extremo de la barra protectora del soporte de montaje. En el otro extremo, gire la barra protectora hacia un lado (f).

Vuelva a colocar la barra protectora cuando el niño se encuentre bien sujeto al asiento.

Para colocar la tapa de la barra protectora, presione los pasadores de cada extremo de los soportes de montaje del marco de la silla de paseo (g).

## 18. USO DE LA CUBIERTA

**Posición para el recién nacido:** Coloque la cubierta en el asiento y pliegue la parte superior de la misma. Asegure la parte plegada con un botón de presión (a). Deslice la parte inferior de la cubierta por debajo del reposapiés (b). Abroche los botones de presión laterales de la solapa del saco al lateral de la funda de la silla de paseo (c).

**Posición para niños mayores:** (cuando al niño le quede pequeña la posición para recién nacidos de la cubierta): Coloque la cubierta en el asiento. Deslice la parte inferior de la cubierta por debajo del reposapiés (d) y envuelva con la solapa superior la barra protectora (e). Enganche los dos botones de presión (f) para asegurar la cubierta.

## 19. EXTRACCIÓN DEL FORRO DEL ASIENTO

Desabroche el arnés y retire las almohadillas para el pecho y almohadilla para la entrepierna (a) (véase el paso 14).

Empuje las correas para los hombros (b), las correas para cintura (c) y la correa para la entrepierna (d) a través de las ranuras del revestimiento unidad de asiento a continuación, levante el revestimiento de la unidad de asiento.

Para volver a colocar del forro del asiento, siga el mismo procedimiento pero a la inversa.

## 20. COLOCACIÓN DEL PROTECTOR PARA LLUVIA DEL ASIENTO

Para colocar el protector para lluvia, ponga la parte inferior por encima del reposapiés (a) y coloque el protector para lluvia por encima de la capota de la silla de paseo como se muestra (b).

En la parte delantera del protector para lluvia hay cremalleras (c) para que pueda acceder con facilidad a su hijo.

## 21. BOLSILLO DE RED

En la parte trasera del asiento se encuentra un bolsillo de red para guardar solo el protector para lluvia. Para abrir el bolsillo, agarre el interruptor (a) y, a continuación, tire del interruptor hacia afuera (b). Para cerrar el bolsillo, sujete los extremos de la cuerda, apriete y presione el interruptor hacia el bolsillo (c).

## 22. SUJECIÓN DEL KITBIT

Envuelva con las correas el manillar, tal como se muestra.

Las correas están aseguradas primero por la sujeción de tela (a), y segundo por los botones de presión (b).

Peso máximo: 1 kg.

## 23. MONTAJE Y DESMONTAJE DE LA SILLA PARA COCHE UPSTART (SE VENDE POR SEPARADO)

Nota: Los adaptadores del soporte de montaje de la silla para coche de niño se suministran con el Litestar TS.

Coloque la parte superior de los adaptadores de los soportes de montaje en los soportes de montaje de cada lateral de la silla para coche de niño. Presione hasta que escuche un «clíc» y los adaptadores de los soportes de montaje queden bloqueados en la posición correcta (a).

Nota: Los adaptadores de los soportes de montaje están incluidos y solo se pueden colocar de una forma. Los botones de liberación deben estar apuntando hacia la capota de la silla para coche de niño.

Nivele la silla para coche de niño, orientada hacia atrás, con el receptor del chasis y apriete hasta que escuche un «clic» de cada lateral y la silla para coche de niño quede bloqueada en la posición correcta (b).

Para retirar la silla para coche de niño del chasis, cuando usted se encuentre de pie frente al chasis, en primer lugar presione el botón de liberación izquierdo (c). El botón tiene función de memoria y permanecerá suelto hasta que se extraiga la silla para coche.

En segundo lugar, presione el botón de liberación derecho (d) con una mano y levante la silla para coche de niño del chasis por el manillar (e)

Para retirar los adaptadores de la silla para coche, pulse los botones de liberación (d) y saque los adaptadores del soporte de montaje de la silla de paseo (e). Guarde los adaptadores del soporte de montaje en un lugar seguro para uso futuro.

#### 24. USO DE LA CORREA DE ANCLAJE

La correa de anclaje está prevista para ayudar a mantener la silla de paseo cerca del usuario. Solo para uso de adultos.

La correa de anclaje no debe usarse como rienda o correa de muñeca para niños. Hacerlo podría ser peligroso.

Colgar artículos en la correa de anclaje afectará a la estabilidad de la silla de paseo.

Utilice la correa de anclaje solo para el propósito previsto.

Se incluye una correa de anclaje con la silla de paseo. Se puede utilizar para sujetar la silla de paseo a la muñeca del usuario para mayor seguridad.

Para sujetar la correa, pase el extremo alrededor de la barra del manillar y ensártelo en la anilla de plástico que se suministra.



## CUIDADOS

---

La silla de paseo se ha diseñado para cumplir los estándares de seguridad y, con un uso y un mantenimiento correctos, ofrecerá muchos años de rendimiento sin incidencias.

El chasis es sólido, pero se debilitará si las ruedas traseras se golpean al bajar escaleras o bordillos.

Un impacto continuo ocasionará daños.

Si el niño lleva zapatos duros, estos pueden dañar el tejido flexible.

El hecho de almacenar la silla de paseo húmeda favorecerá la formación de moho.

Tras una exposición a condiciones de humedad, seque la silla de paseo con un paño suave, ábrala

totalmente y deje que se seque por completo antes de guardarla.

Guarde la silla de paseo en un lugar seco y seguro.

No deje la silla de paseo expuesta a la luz solar durante periodos prolongados, ya que los tejidos podrían desteñirse.

## MANTENIMIENTO

---

Esta silla de paseo precisa un mantenimiento regular por parte del usuario.

Los productos Koochi están diseñados para funcionar con un mantenimiento mínimo; no obstante, una lubricación regular de las piezas móviles prolongará la vida útil de la silla de paseo y facilitará su apertura y plegado.

En caso de que haya piezas de la silla de paseo que se vuelvan rígidas o su funcionamiento difícil, aplique una ligera capa de un lubricante en spray como, por ejemplo, silicona. No utilice aceite ni grasa.

Inspeccione con regularidad los dispositivos de bloqueo, los frenos, las ruedas, el conjunto del arnés, los pestillos, los ajustadores de los asientos, las juntas y las fijaciones para asegurarse de que sean seguros y estén en perfecto estado de funcionamiento. Deben poder moverse con libertad en todo momento.

Los frenos y las ruedas están sometidos a desgaste y deben repararse si es necesario.

Es necesario mantener y reacondicionar la silla de paseo para utilizarla con un segundo bebé o después de transcurridos 18 meses, aquello que suceda antes.

## LIMPIEZA

---

La capota puede limpiarse ligeramente con una esponja con agua tibia y un detergente suave.

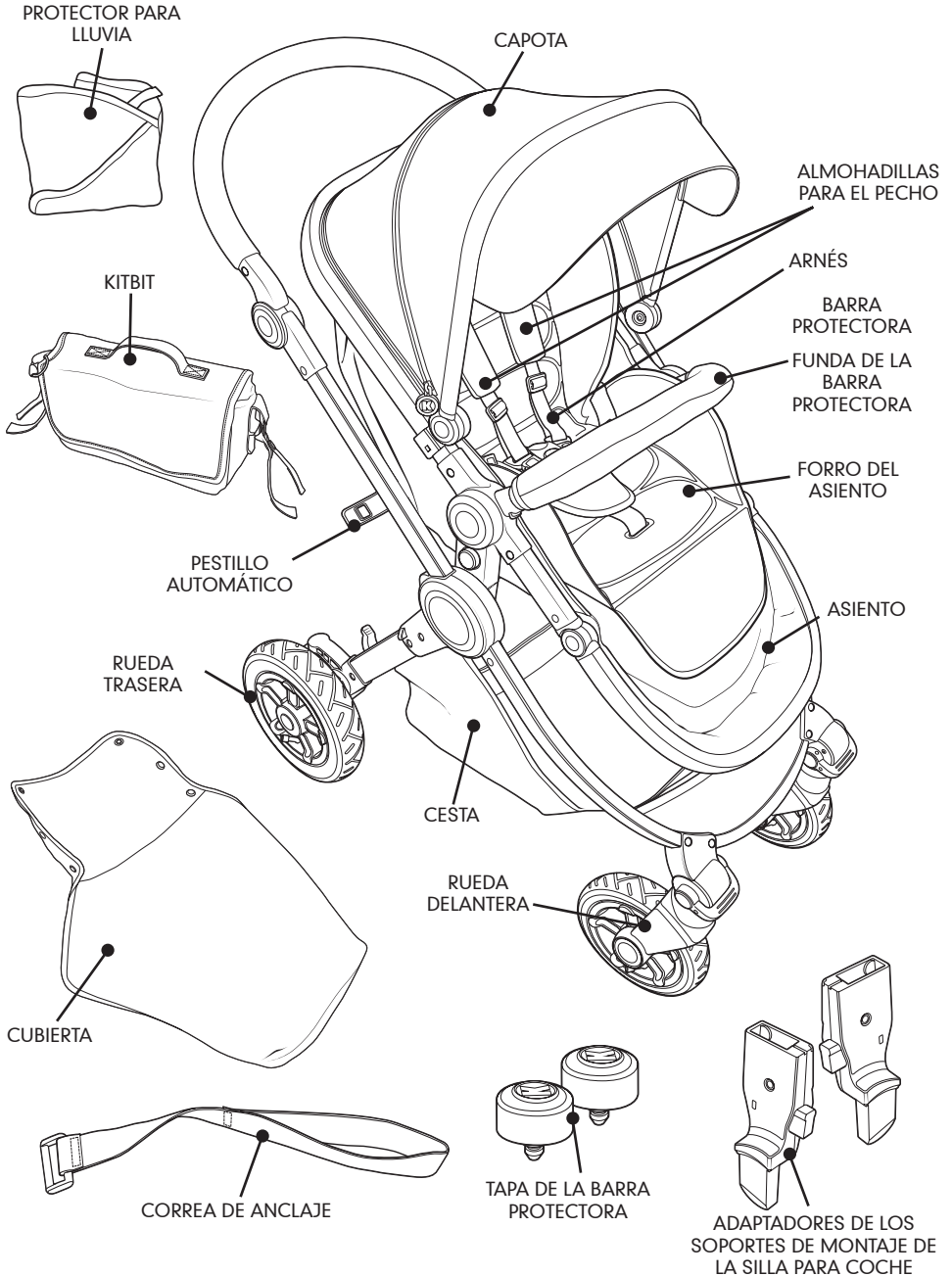
Las piezas de plástico y metálicas pueden limpiarse con una esponja con agua tibia y un detergente suave.

No utilice limpiadores abrasivos, a base de amoníaco o de lejía o de tipo alcohólico.

Para acceder a las instrucciones de lavado de las partes flexibles, consulte las correspondientes etiquetas de cuidados y lavado.

# PIEZAS DE SUSTITUCIÓN

Disponemos de todos los recambios listados a continuación para su producto. En caso de que necesite cualquiera de estas piezas, póngase en contacto con nosotros en [spares@koochi.co.uk](mailto:spares@koochi.co.uk)





# **IMPORTANT : CONSERVEZ CES INSTRUCTIONS, ELLES POURRONT VOUS SERVIR PLUS TARD**

**Lisez attentivement ces instructions. La sécurité de votre enfant peut être remise en question si vous ne vous conformez pas à ces instructions**

## BIENVENUE

---

Merci d'avoir choisi un produit Koochi. Prenez le temps de lire les consignes importantes de sécurité décrites ci-après. Elles vous garantiront de nombreuses et heureuses années d'utilisation en toute sécurité.

## SEGURIDAD: TENGA EN CUENTA LO SIGUIENTE

---

### **AVERTISSEMENT: VOUS ÊTES RESPONSABLE DE LA SÉCURITÉ DE L'ENFANT**

- **AVERTISSEMENT** : Ne laissez jamais votre enfant sans surveillance.
- **AVERTISSEMENT** : Vérifiez que tous les dispositifs de verrouillage sont enclenchés avant toute utilisation.
- **AVERTISSEMENT** : Évitez que votre enfant ne se blesse et éloignez-le lorsque vous dépliez et repliez ce produit.
- **AVERTISSEMENT** : Ne laissez pas votre enfant jouer avec ce produit.
- **AVERTISSEMENT** : Utilisez toujours le système de retenue.
- **AVERTISSEMENT** : Vérifiez que les dispositifs de fixation du siège ou du siège auto sont correctement enclenchés avant toute utilisation.
- **AVERTISSEMENT** : Ce produit n'est pas approprié pour courir ou patiner.
- Cette poussette est destinée aux enfants à partir de la naissance jusqu'à un poids de 15 kg maximum.
- La position la plus inclinée est recommandée pour les nouveau-nés jusqu'à ce qu'ils soient prêts à se tenir dans la poussette avec un dossier plus relevé (jusqu'à ce qu'ils puissent s'asseoir sans aide, par exemple).
- Ce produit est uniquement compatible avec un siège auto Upstart (vendu séparément).
- Éloignez les enfants des pièces mobiles lorsque vous réglez la poussette. La poussette doit être régulièrement entretenue par l'utilisateur.
- N'utilisez aucune pièce ou aucun accessoire de rechange non approuvé par Koochi, la sécurité de la poussette pourrait sinon être remise en question.
- Toute surcharge ou tout pliage incorrect, toute utilisation d'accessoires ou de pièces de rechange non approuvées peuvent endommager cette poussette et rendre son utilisation dangereuse. Lisez les instructions.
- La charge du panier fourni est limitée à 2 kg, uniformément répartis.
- Le filet situé à l'arrière du dossier est destiné au rangement de la cape de pluie uniquement.
- Le KitBit fourni est conçu pour être suspendu à la poignée du châssis. Sa charge est limitée à 1 kg, uniformément réparti.
- Toute charge supplémentaire suspendue à la poignée et/ou à l'arrière du dossier et/ou sur le côté de la poussette peut affecter sa stabilité.
- N'utilisez pas de plate-forme avec ce produit, sa sécurité pourrait être remise en question.

- Ne laissez jamais la cape de pluie à l'intérieur, dans une atmosphère chauffée ou auprès d'une source de chaleur, le bébé pourrait avoir trop chaud.
- Veillez à ce que tous les utilisateurs soient familiarisés avec le fonctionnement du produit. Il doit toujours s'ouvrir et se replier aisément. Si ce n'est pas le cas, ne forcez pas le mécanisme – attendez et lisez les instructions.
- N'utilisez pas votre poussette autrement que ce pour quoi elle a été conçue.
- Veillez à ce que vos enfants portent toujours les harnais correctement attachés et ajustés. Les harnais existants sont pourvus d'anneaux en 'D' permettant d'y joindre un harnais de sécurité distinct conforme à la norme BS EN 13210 en cas de nécessité.
- Ne laissez pas vos enfants grimper, jouer ou se suspendre à votre poussette sans surveillance.
- Mettez toujours les freins lorsque la poussette est à l'arrêt. Tenez bien la poussette lorsque vous vous approchez de voitures ou de trains en mouvement. Ils pourraient emporter la poussette, même si le frein est mis.
- Assurez-vous que le frein est bien serré lorsque vous installez l'enfant dans la poussette ou le retirez de la poussette.
- Attention lorsque vous montez sur le trottoir ou en descendez. Retirez votre enfant de la poussette, et repliez-la lorsque vous montez ou descendez des escaliers ou des escalators.
- Veillez à ce que la poussette repliée soit rangée à l'abri des enfants de façon à ce qu'elle ne puisse pas tomber et les blesser.
- Ne portez jamais un deuxième enfant sur ce produit.
- Ce produit est conforme à la norme BS EN 1888:2012.

## SIÈGE AUTO (VENDU SÉPARÉMENT)

---

- Lorsque le siège auto est utilisé avec le châssis, ce produit ne peut remplacer un berceau ou un lit. Si votre enfant a besoin de dormir, posez-le dans un berceau, un lit ou une nacelle.
- Koochi recommande que l'enfant, lorsqu'il est dans le siège auto monté sur le châssis, soit toujours installé face aux parents.

## DRAGONNE

---

- La dragonne permet à l'utilisateur de rester près de la poussette. Son utilisation est réservée aux adultes.
- La dragonne ne doit pas être utilisée comme une rêne ou une dragonne pour les enfants. Une telle utilisation peut en effet s'avérer dangereuse.
- Le fait de suspendre des éléments à la dragonne peut affecter la stabilité de la poussette.
- Utilisez la dragonne uniquement pour ce à quoi elle est prévue.

## LISTE DES PIÈCES

---

Votre poussette est livrée dans un carton.

1. Châssis de poussette
2. Roue arrière (x2)
3. Roue avant (x2)
4. Siège (protection de barre de pare-chocs pré-installée)
5. Capote
6. Tablier
7. Cape de pluie
8. Barre du pare-chocs
9. KitBit
10. Adaptateurs de montage pour siège auto
11. Dragonne

### 1. OUVRIR LA POUSSETTE

Posez le châssis sur une surface propre, comme indiqué.

Libérez le loquet (a).

Levez le châssis au niveau des fixations de la poignée (b) jusqu'à ce que le châssis se bloque en position ouverte (c).

**AVERTISSEMENT :** Vérifiez que tous les dispositifs de verrouillage sont enclenchés avant toute utilisation.

### 2. LEVER LA POIGNÉE

Pour ouvrir la poignée, appuyez sur les boutons à l'intérieur de chaque fixation de la poignée avec vos pouces (a) et faites pivoter la poignée vers l'extérieur (b) depuis la position fermée. Pour fermer la poignée, procédez en sens inverse.

### 3. RÉGLER LA POSITION DE LA POIGNÉE

La poignée possède 4 positions et une position fermée uniquement pour replier le châssis.

### 4. INSTALLER ET RETIRER LES ROUES ARRIÈRE

Enfoncez l'une des roues arrière dans le pied du châssis (a) jusqu'à ce qu'elle se bloque. Tirez légèrement sur la roue pour vérifier qu'elle est bien en place.

Répétez cette opération avec l'autre roue arrière.

Pour retirer la roue arrière, tirez le levier (b) sous le pied du châssis, puis tirez la roue arrière pour l'extraire (c).

### 5. INSTALLER ET RETIRER LES ROUES AVANT

Enfoncez l'une des roues avant dans la base du logement de roue avant (a) à l'avant du châssis.

Répétez cette opération avec l'autre roue avant.

Pour retirer la roue avant, tirez sur le bouton (b) sur le côté du logement de roue avant, puis tirez sur la roue arrière pour l'extraire (c).

### 6. UTILISER LE SYSTÈME DE BLOCAGE

Pour utiliser le système de blocage, appuyez sur le levier (a). Faites pivoter la roue jusqu'à ce qu'elle se bloque vers l'avant. La roue ne peut plus pivoter (b).

Soulevez le levier (c) pour débloquer. La roue peut alors librement pivoter (d).

### 7. UTILISER LE FREIN

Pour serrer le frein, appuyez fermement sur le levier du bout du pied (a). Vérifiez que le frein est bien serré en essayant de faire avancer la poussette sur une courte distance. Pour relâcher le frein, relâchez le levier (b).

**NB : Assurez-vous que le frein est bien serré lorsque vous installez l'enfant dans la poussette ou le retirez de la poussette.**

## 8. UTILISER LE PANIER

Vous pouvez observer la présence d'un compartiment à fermeture Éclair (a) à l'arrière du panier. Pour retirer le panier, détachez les 4 boutons-pression à l'arrière (a), les 2 boutons-pression à l'avant (b) et les boutons-pression de chaque côté de la poussette (c).

Pour remonter le panier, procédez en sens inverse.

## 9. PLIER LA POUSSETTE

Mettez la poignée en position de pliage (a) (voir étape 2).

Appuyez sur le levier de déblocage (b) avec le pied et poussez en même temps les fixations de la poignée vers le bas (c).

Pliez la poussette jusqu'à ce que le loquet verrouille la poussette en position fermée (d).

NB : Lorsque vous pliez la poussette et que le siège est installé, ce dernier doit être monté sur le châssis face à la route, dans la position inclinée la plus verticale.

## 10. INSTALLER ET RETIRER LE SIÈGE

Posez le siège sur les points de montage de chaque côté du châssis. Poussez vers le bas (a) jusqu'à ce que les fixations se clipsent en place.

Pour retirer le siège du châssis, appuyez sur les boutons de chaque côté des supports (b), puis soulevez-le pour le libérer (c).

NB : Le siège peut être installé face à la route ou face aux parents.

## 11. INSTALLATION DE LA CAPOTE

Pour installer la capote sur le châssis, faites glisser le bloc de montage de la capote dans la structure de réception du châssis (a) comme par marquage et fermez la fermeture Éclair (c).

Pour retirer la capote, procédez en sens inverse.

NB : Ouvrez la fermeture Éclair sur le pourtour de la poussette AVANT de retirer la capote.

## 12. UTILISER LA CAPOTE - 1

Tirez la capote vers l'avant (a) pour la déplier.

Repoussez la capote en arrière pour la replier (b).

Pour déplier l'extension de la capote, ouvrez la fermeture Éclair (c) et tirez la capote vers l'avant. Repoussez la capote en arrière et refermez la fermeture Éclair pour replier l'extension.

## 13. UTILISER LA CAPOTE - 2

Pour replier le pare-soleil, appuyez sur la partie médiane (a) jusqu'à ce que le pare-soleil rentre dans la capote.

Pour déplier le pare-soleil, tirez-le vers l'avant et vers le haut (b) jusqu'à ce qu'il se bloque.

Pour accéder à la fenêtre de la capote, relevez le rabat (c). Remettez le rabat en place (d) pour cacher la fenêtre.

## 14. UTILISER LE HARNAIS

La poussette est pourvue d'un harnais à cinq points pour tenir votre enfant.

Pour fixer le harnais, poussez les clips des bretelles dans les clips de la sangle de ceinture (a) et enclenchez ceux-ci dans la boucle jusqu'à ce qu'ils soient bloqués (b).

Pour le détacher, appuyez sur le bouton au centre de la boucle (c), puis tirez sur les sangles de ceinture pour les dégager.

Le harnais doit être bien ajusté, de façon à ce que votre enfant soit confortablement installé.

La longueur des bretelles peut être modifiée à l'aide des dispositifs de réglage (d). Les sangles de ceinture peuvent être réajustées en appuyant sur les boutons (e) sur les clips de la sangle et les dispositifs de réglage (f).

Pour régler la hauteur des bretelles, prenez l'extrémité des bretelles (g), passez-les à travers les fentes, repositionnez à la hauteur souhaitée et repassez l'extrémité des bretelles à travers la fente appropriée.

Pour retirer le harnais, prenez les extrémités des bretelles (g) et passez-les à travers les fentes. Sous le siège, passez l'extrémité de la sangle d'entrejambe à travers sa fente (h). Pour retirer les sangles de ceinture, à l'arrière du siège, défaites les sangles en faisant passer l'extrémité à travers l'ouverture du clip métallique (i). Le harnais peut maintenant être retiré du siège. Pour remonter le harnais, suivez ces instructions dans le sens inverse.

Chaque sangle de ceinture est pourvue à son extrémité d'anneaux en 'D' qui permettent d'y fixer un harnais supplémentaire conforme à la norme BS EN 13210.

Pour retirer ou fixer les protège-sangle, défaites la boucle, retirez les clips des bretelles des clips de la sangle de ceinture, et faites glisser les protège-sangle sur les courroies ou des courroies.

**AVERTISSEMENT :** Utilisez toujours la sangle d'entrejambe en association avec la sangle de ceinture.

#### 15. RÉGLER LA HAUTEUR DU DOSSIER

Le dispositif de réglage permettant d'incliner et de relever le dossier est situé à l'arrière du dossier.

Pour incliner le dossier, prenez le dispositif de réglage entre le pouce et l'index, comme indiqué. Tirez le dispositif de réglage vers vous (a). Relâchez le dispositif de réglage une fois que le dossier se trouve dans la position souhaitée. Le dossier se bloque en position.

Pour relever le dossier, tirez sur les anneaux à l'extrémité des bandes du dispositif de réglage à angle droit par rapport au dispositif de réglage (b et c) jusqu'à ce que le dossier atteigne la position souhaitée. Le dossier se bloque en position.

#### 16. RÉGLER LE REPOSE-PIEDS

Pour régler la position du repose-pieds, appuyez sur les boutons (a) de chaque côté de la poussette. Relevez (b) ou baissez (c) le repose-pieds jusqu'à la position souhaitée. Une fois les boutons relâchés, le repose-pieds se bloque en position.

#### 17. INSTALLER LA BARRE DU PARE-CHOCS

NB : La protection de la barre de pare-chocs est pré-installée sur le siège.

Pour retirer la protection de la barre de pare-chocs, appuyez sur les boutons sous les fixations (a), puis dégagez la protection (b). Veillez à conserver soigneusement la protection et à l'installer dès que la barre du pare-chocs n'est pas utilisée.

Pour installer la barre du pare-chocs, poussez les broches à chaque extrémité de manière à les insérer dans les fixations sur la structure de la poussette (c).

Pour retirer la barre du pare-chocs, appuyez sur les boutons sous les fixations (d), puis dégagez la barre du pare-chocs (e).

Pour placer plus aisément l'enfant dans le siège, ouvrez la barre du pare-chocs. Appuyez sur le bouton d'un côté de la barre pour en soulever l'extrémité et la sortir de la fixation. À l'autre extrémité, faites pivoter la barre du pare-chocs sur le côté (f).

Une fois l'enfant correctement attaché, replacez la barre du pare-chocs.

Pour installer la protection de la barre de pare-chocs, poussez les broches à chaque extrémité de manière à les insérer dans les fixations sur la structure de la poussette (g).

#### 18. UTILISER LE TABLIER

**Position pour les nouveau-nés :** placez le tablier sur le siège et pliez la partie supérieure du tablier. Fixez la partie pliée avec les boutons-pression (a). Faites glisser le bas du tablier sous le repose-pieds (b). Fixez les boutons-pression latéraux sur le rabat du couvre-jambes sur le côté de la protection de la poussette (c).

**Position pour les enfants plus grands :** (lorsque l'enfant est trop grand pour la position du tablier destinée aux nouveau-nés) : placez le tablier sur le siège. Faites glisser le bas du tablier sous le repose-pieds (d) et enroulez le rabat supérieur au-dessus de la barre du pare-chocs (e). Attachez les deux boutons-pression (f) pour fixer le tablier.

## 19. RETRAIT DE LA HOUSSE DU SIEGE

Pour installer la chancelière, détachez d'abord les bretelles de la boucle du harnais, puis faites glisser les rembourrages de bretelle et rembourrage d'entrejambe (a) (voir étape 14).

Poussez les bretelles (b), la sangle de ceinture et d'entrejambe (c) en les faisant coulisser (d) à travers les fentes dans le revêtement de l'unité de siège puis soulevez la doublure du poste de siège.

Pour installer la housse du siège, procédez dans l'ordre inverse.

## 20. INSTALLER LA CAPE DE PLUIE DU SIÈGE

Pour installer la cape de pluie, placez la partie inférieure par-dessus le repose-pieds (a) et étendez la cape de pluie par-dessus la capote de la poussette, comme indiqué (b).

Des fermetures Éclair (c) sont situées à l'avant de la cape de pluie pour faciliter l'accès à votre enfant.

## 21. FILET

Le filet situé à l'arrière du dossier est destiné au rangement de la cape de pluie uniquement.

Pour ouvrir le filet, appuyez sur l'autobloqueur (a) afin de l'extraire (b). Pour fermer le filet, tenez les extrémités du lien, appuyez sur l'autobloqueur de manière à y faire passer le lien et poussez-le vers le filet (c).

## 22. FIXER LE KITBIT

Enroulez les bandes autour de la poignée, comme indiqué.

Les bandes sont fixées d'abord par l'attache en tissu (a), puis par les boutons-pression (b).

Poids maximum : 1 kg.

## 23. INSTALLER ET RETIRER LE SIÈGE AUTO UPSTART (VENDU SÉPARÉMENT)

NB : Les adaptateurs de montage pour siège auto sont fournis avec le modèle Litestar TS.

Installez la partie supérieure des adaptateurs de montage sur les fixations de chaque côté du siège auto. Poussez jusqu'à ce que les adaptateurs de montage se clipsent en place (a).

NB : Ces adaptateurs sont asymétriques et ne peuvent être montés que dans un sens. Les boutons de retrait doivent être orientés vers la capote du siège auto.

Alignez le siège auto, en position face aux parents, avec la structure de réception du châssis et poussez jusqu'à ce que le siège auto se clipse de chaque côté (b).

Pour retirer le siège auto du châssis, tenez-vous devant le châssis et appuyez sur le bouton de retrait à gauche (c). Le bouton présente une fonction de mémoire et restera défait jusqu'à ce que le siège auto soit retiré.

Appuyez ensuite sur le bouton de retrait à droite (d) d'une main et soulevez le siège auto par sa poignée pour le dégager du châssis (e).

Pour retirer les adaptateurs du siège auto, appuyez sur les boutons de retrait (d) et soulevez les adaptateurs de montage pour les dégager de la poussette (e). Rangez les adaptateurs en lieu sûr pour une utilisation ultérieure.

## 24. UTILISER LA DRAGONNE

La dragonne permet à l'utilisateur de rester près de la poussette. Son utilisation est réservée aux adultes.

La dragonne ne doit pas être utilisée comme une rêne ou une dragonne pour les enfants. Une telle utilisation peut en effet s'avérer dangereuse.

Le fait de suspendre des éléments à la dragonne peut affecter la stabilité de la poussette.

Utilisez la dragonne uniquement pour ce à quoi elle est prévue.

Une dragonne est fournie avec votre poussette. Elle peut être utilisée afin d'attacher la poussette au poignet de l'utilisateur pour une sécurité accrue.

Pour attacher la dragonne, formez une boucle autour de la poignée avec l'extrémité et faites-la passer dans l'anneau en plastique.



## SOIN

---

Votre poussette a été conçue conformément aux normes de sécurité, et une utilisation et maintenance correctes vous permettront de l'utiliser de nombreuses années sans problèmes. Son châssis est solide, mais peut s'affaiblir si les roues arrière sont malmenées sur les escaliers ou les trottoirs.

Des impacts permanents peuvent également l'endommager.

Si vos enfants portent des chaussures rigides, elles peuvent endommager le tissu, très souple.

Si vous la rangez alors qu'elle est humide, elle peut moisir.

Lorsqu'elle a été exposée à l'humidité, séchez-la avec un chiffon doux, ouvrez-la entièrement et laissez-la sécher avant de la ranger.

Rangez votre poussette dans un endroit sec, bien à l'abri.

Ne laissez pas votre poussette à la lumière du soleil de façon prolongée, certains tissus peuvent se décolorer.

## ENTRETIEN

---

La poussette doit être régulièrement entretenue par l'utilisateur.

Les produits Cosatto sont conçus pour nécessiter un entretien minimum, mais une lubrification régulière des pièces mobiles de la poussette prolongera sa durée de vie, et vous permettra de l'ouvrir et de la replier plus facilement.

Si certaines pièces de votre poussette deviennent rigides et plus difficiles à actionner, pulvérisez-les légèrement de lubrifiant, par exemple de silicone. N'utilisez pas d'huile ou de graisse.

Vérifiez régulièrement les dispositifs de blocage, les freins, les roues, l'assemblage des harnais, les loquets, les réglages du siège, les articulations et mécanismes afin de veiller à ce qu'ils soient en parfait état et fonctionnent en toute sécurité. Ils doivent pouvoir bouger librement à tout moment.

Les freins et les roues peuvent s'user, et doivent être remplacés si nécessaire.

Votre poussette doit être révisée et remise en état avant son utilisation pour d'autres bébés, ou au bout de 18 mois, selon le délai de plus court.

## NETTOYAGE

---

Les capotes peuvent être nettoyées à l'aide d'une éponge imprégnée d'eau chaude et d'un détergent doux.

Les pièces en plastique et métalliques peuvent également être épongées avec un peu d'eau chaude et un détergent doux.

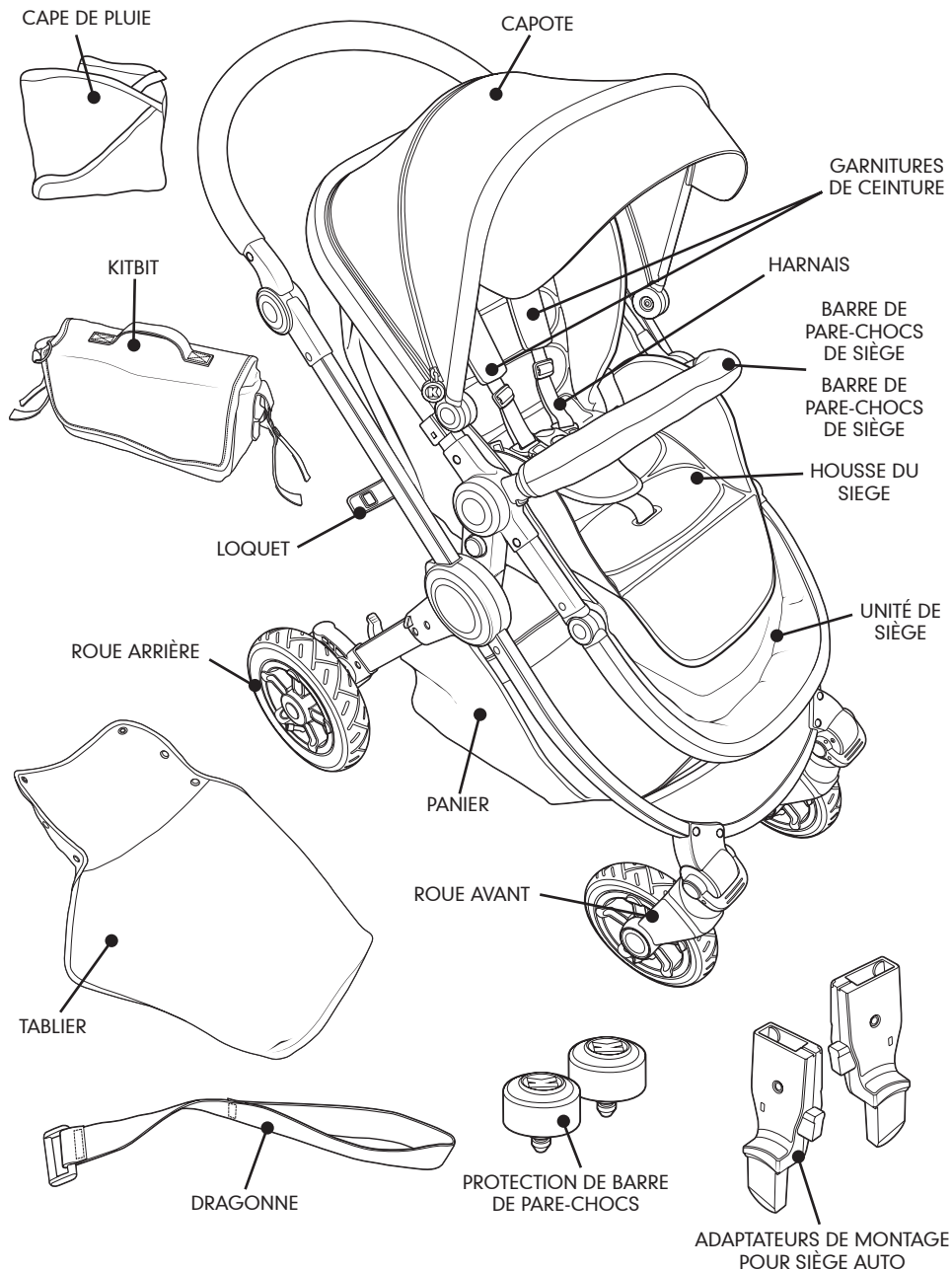
Ne nettoyez jamais la poussette avec des produits abrasifs, à base d'ammoniaque, d'eau de javel ou d'alcool.

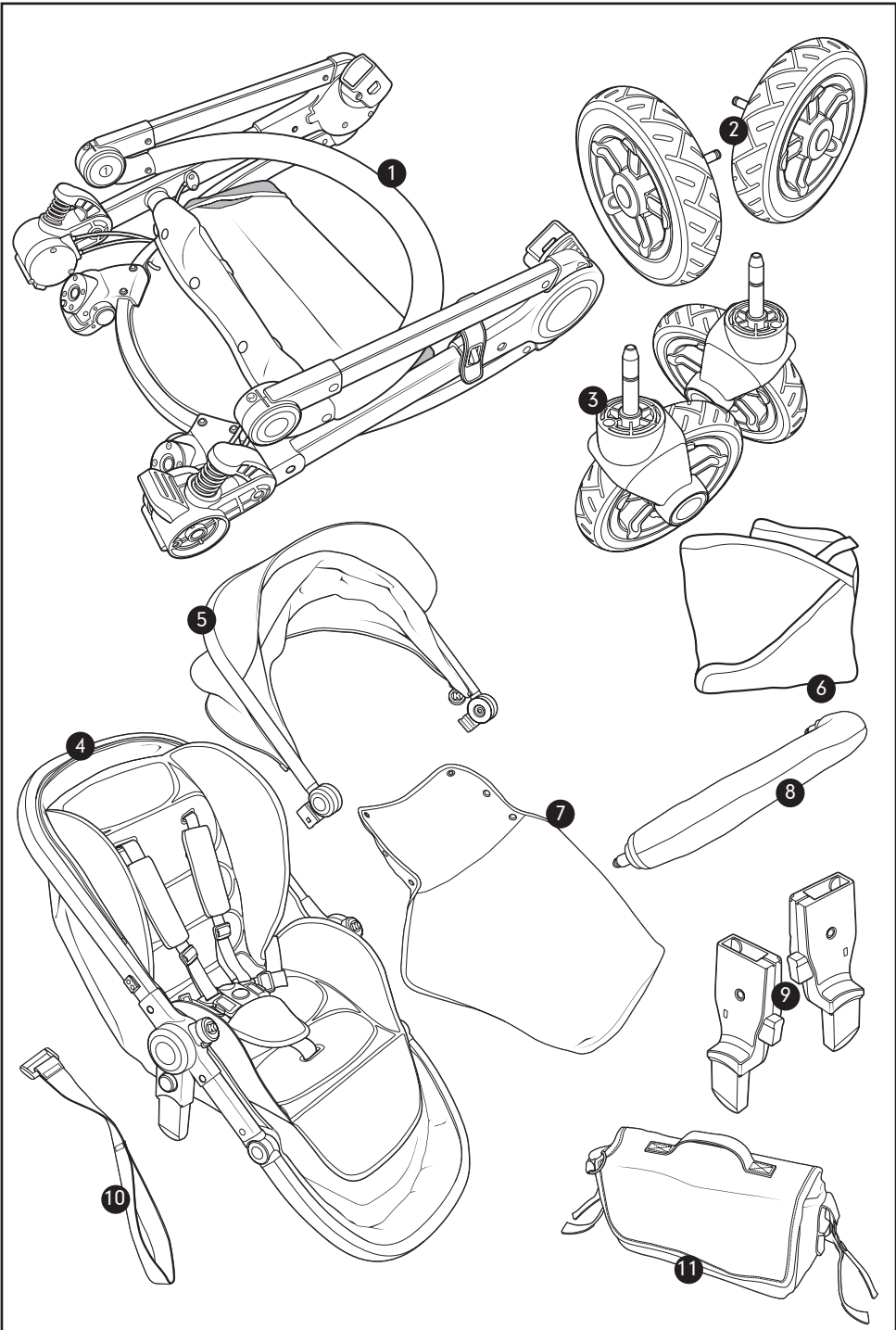
Pour laver les textiles, veuillez vous référer aux étiquettes respectives.

## PIÈCES DE RECHANGE

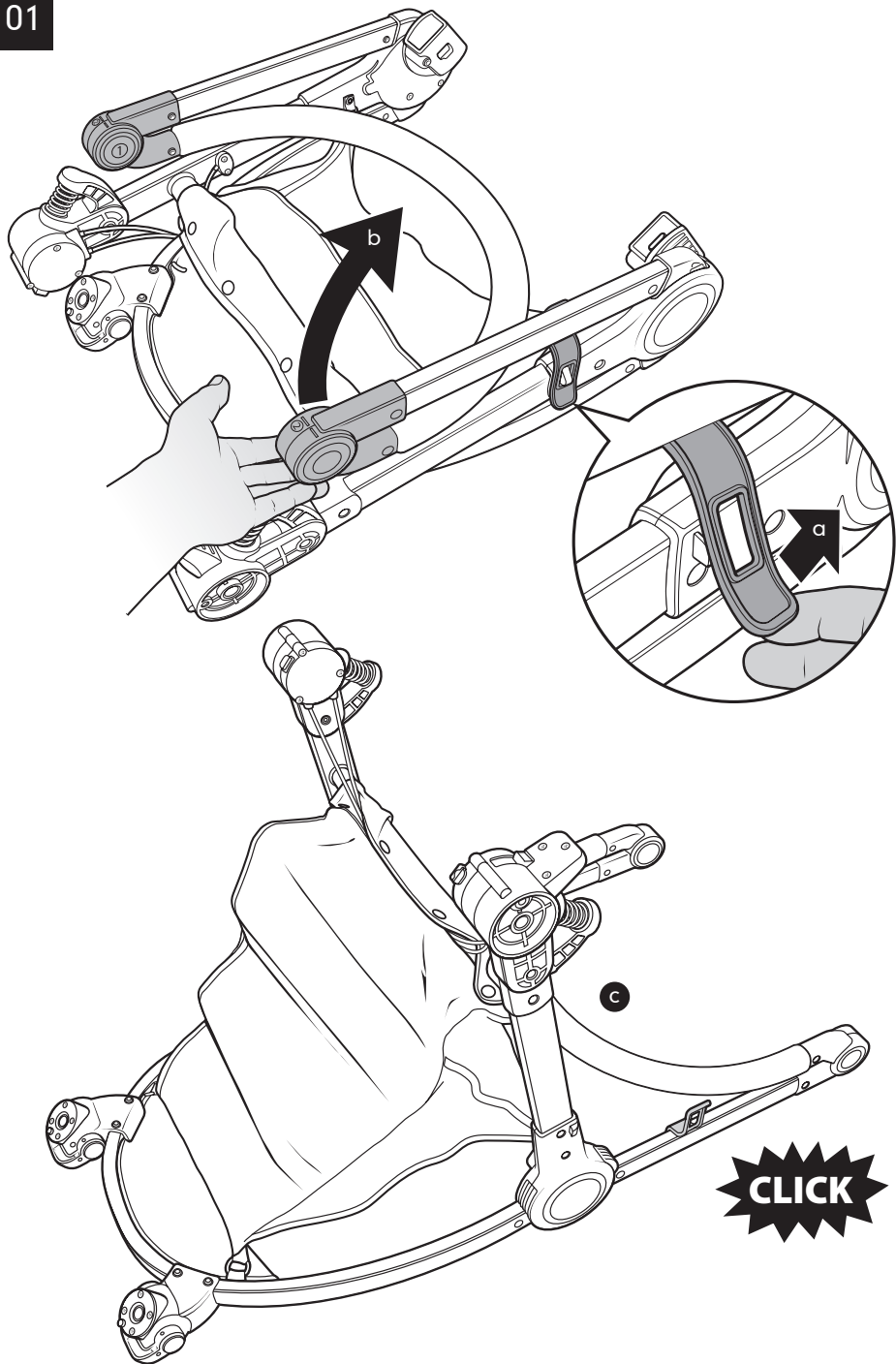
Les pièces de rechange ci-dessous sont disponibles pour votre produit.

Veillez nous contacter pour toute commande de pièces de rechange. [sparcs@koochi.co.uk](mailto:sparcs@koochi.co.uk)

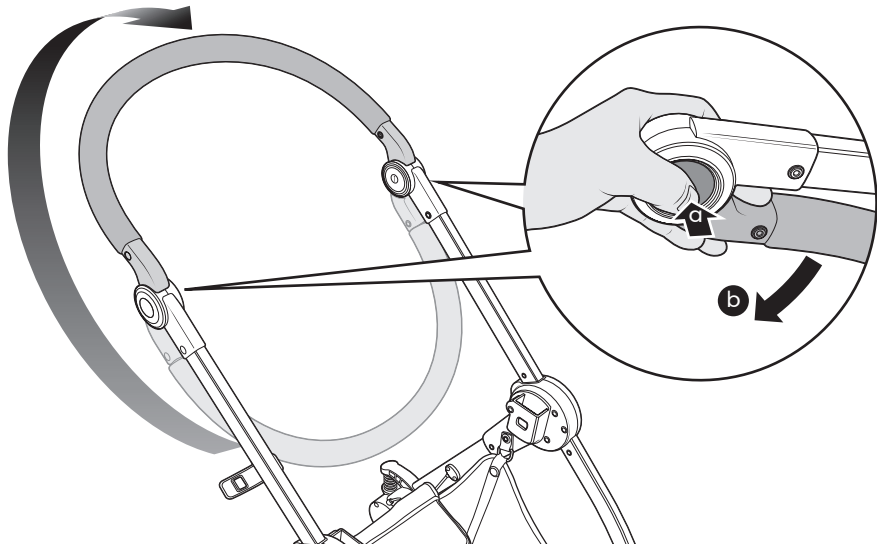




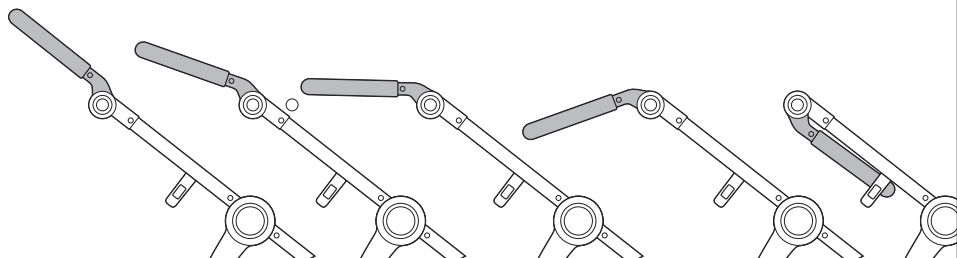
01



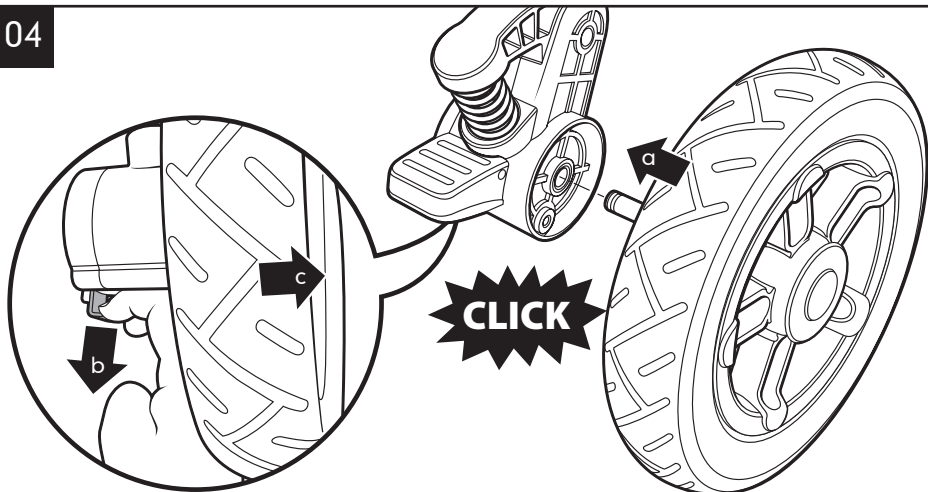
02



03

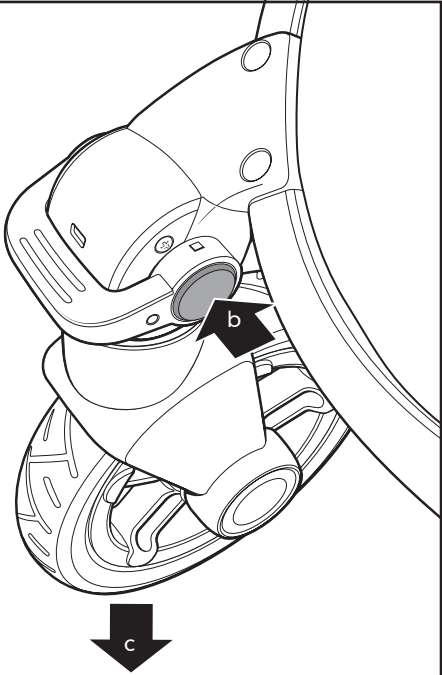
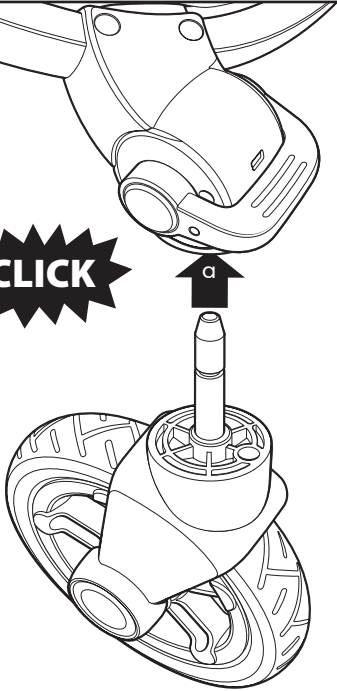


04

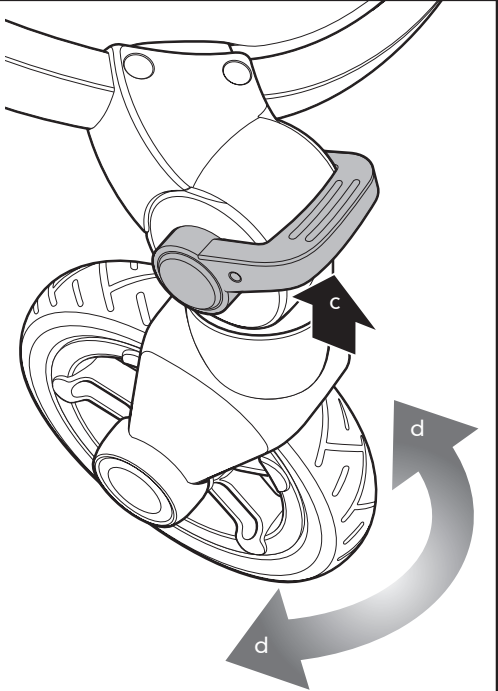
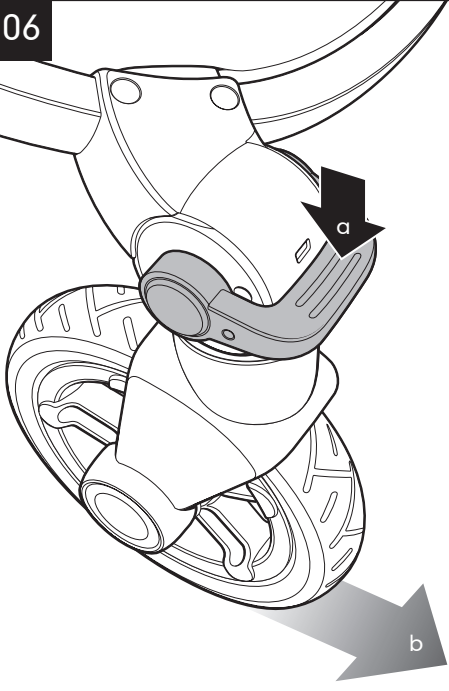


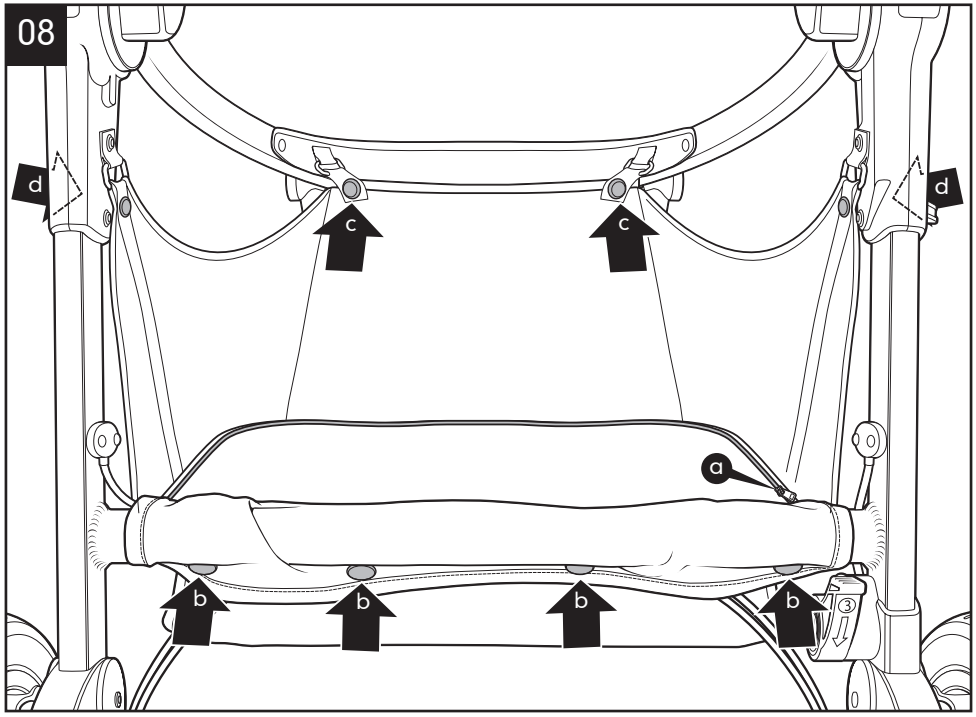
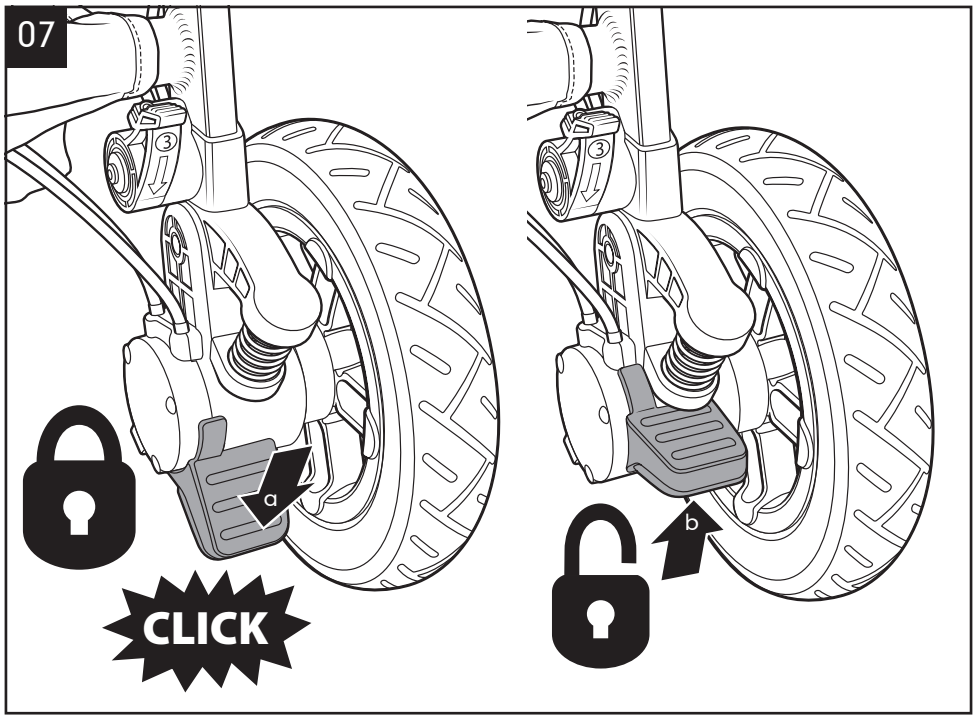
05

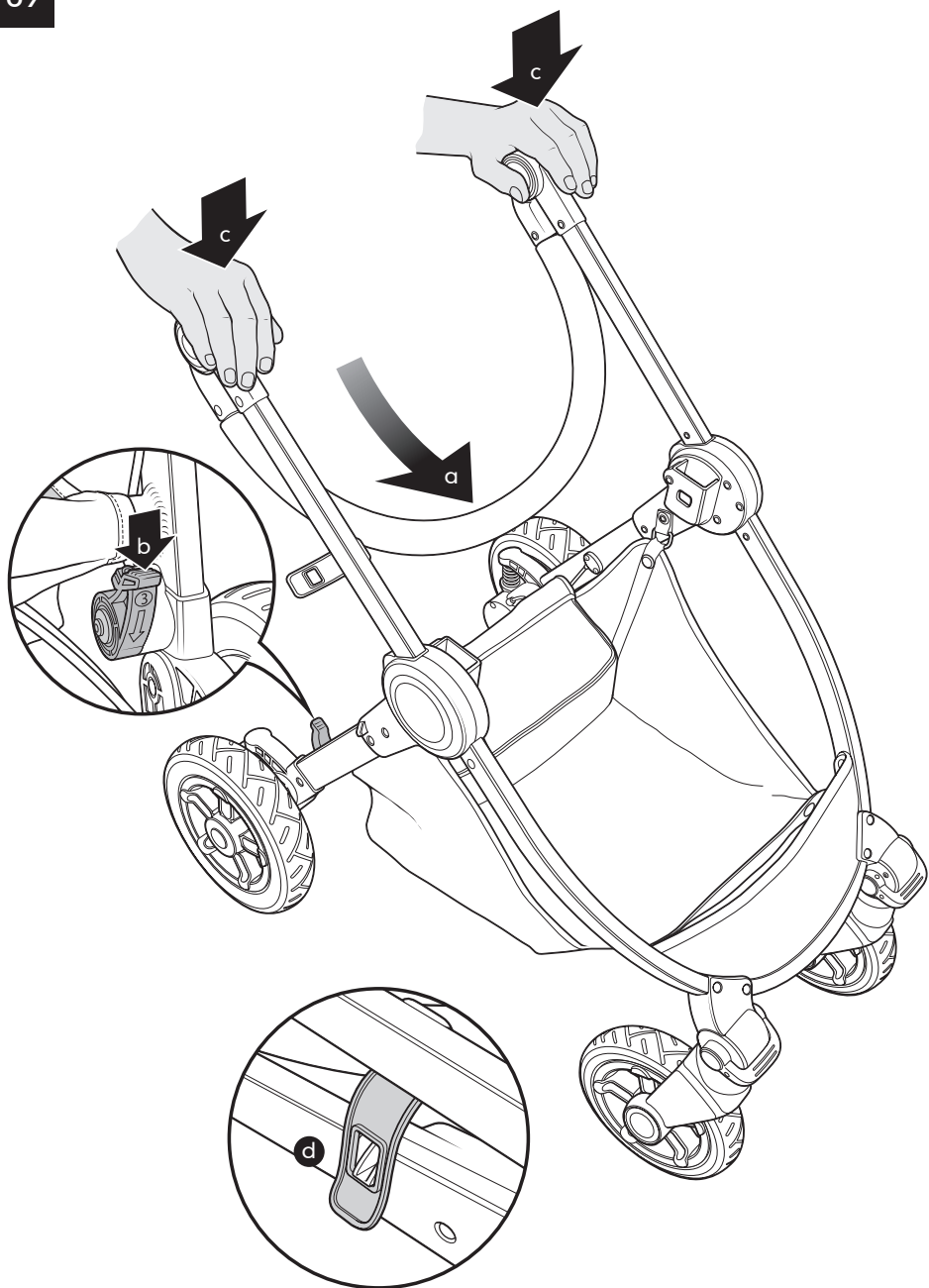
**CLICK**



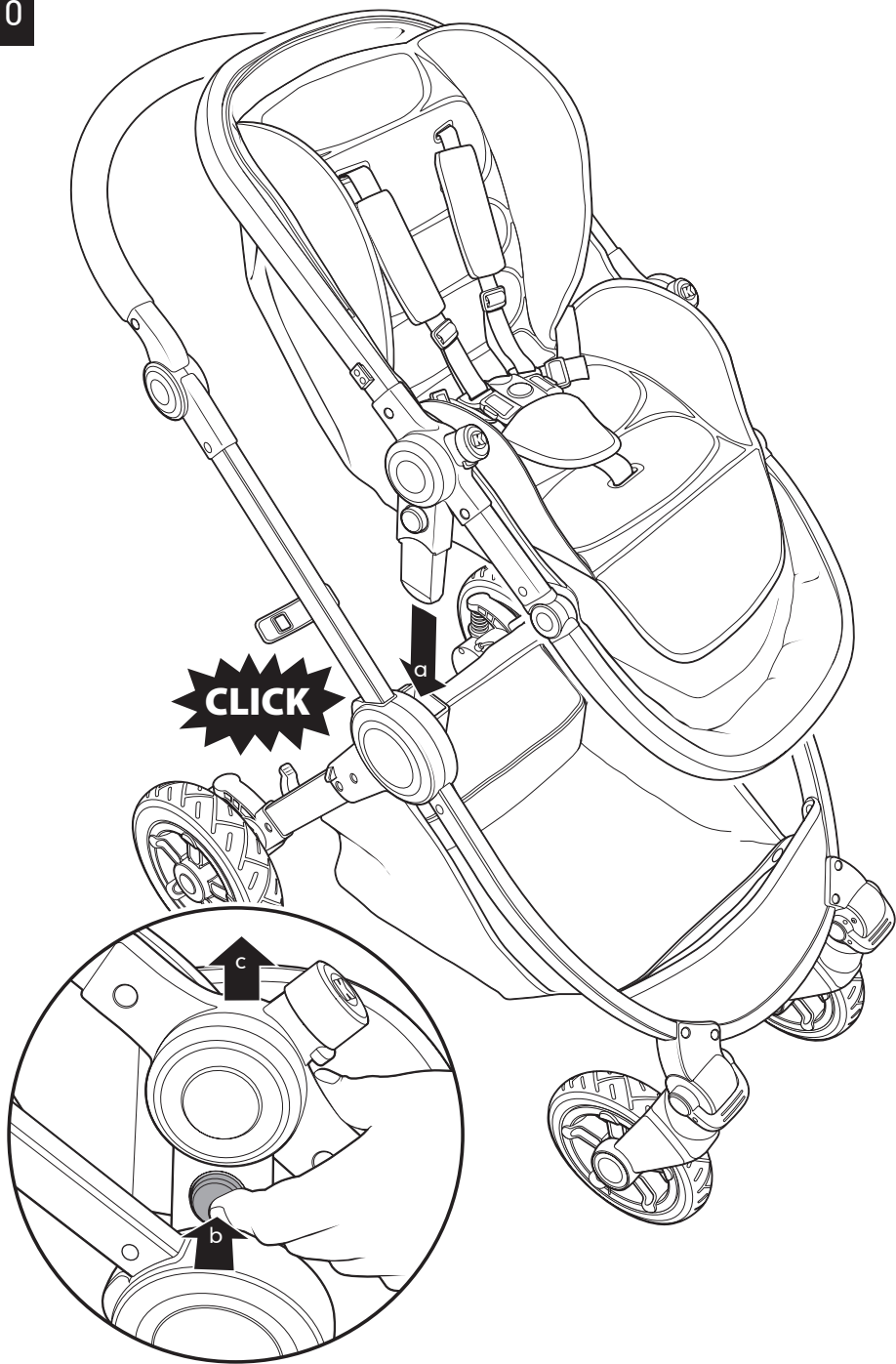
06

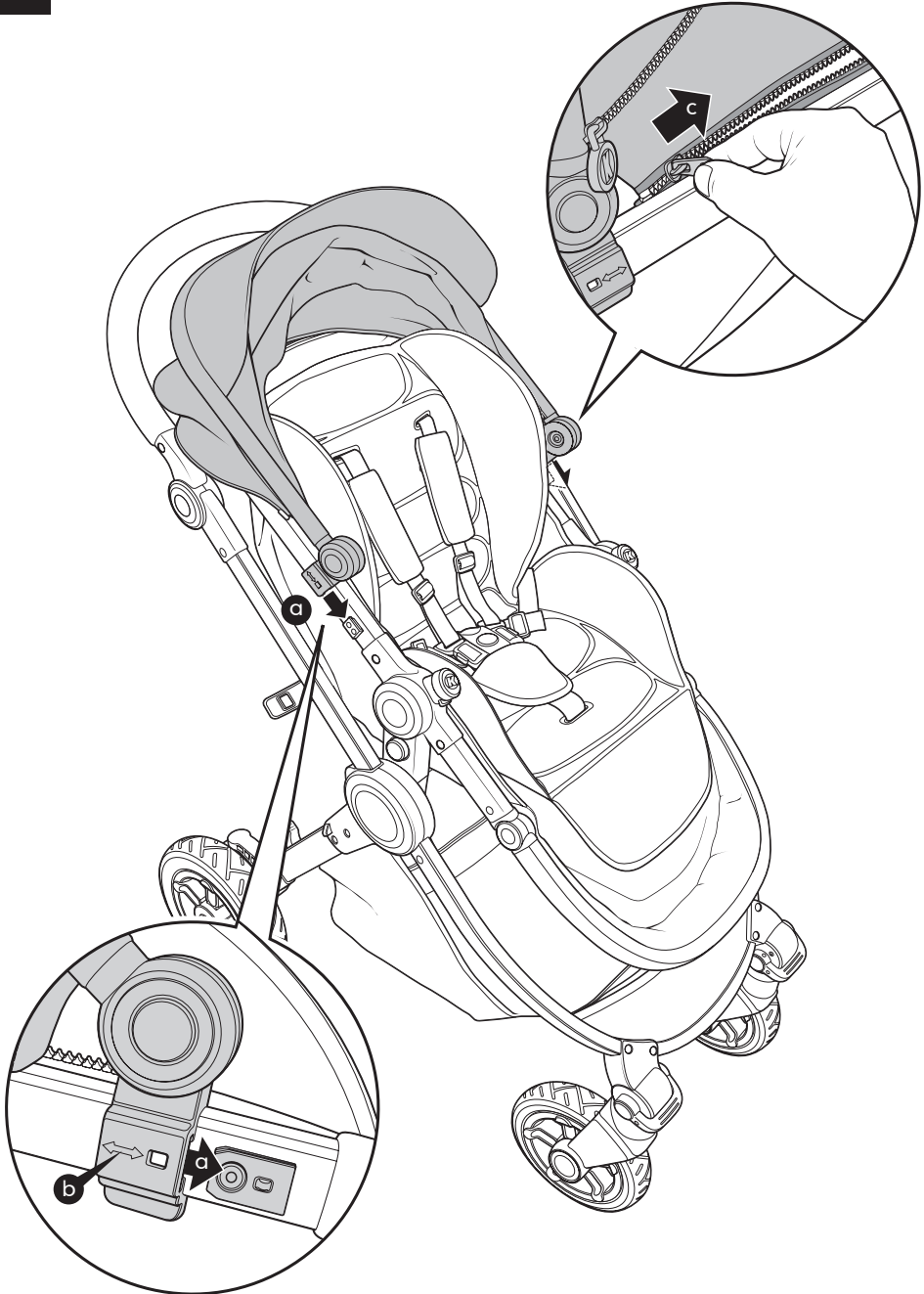


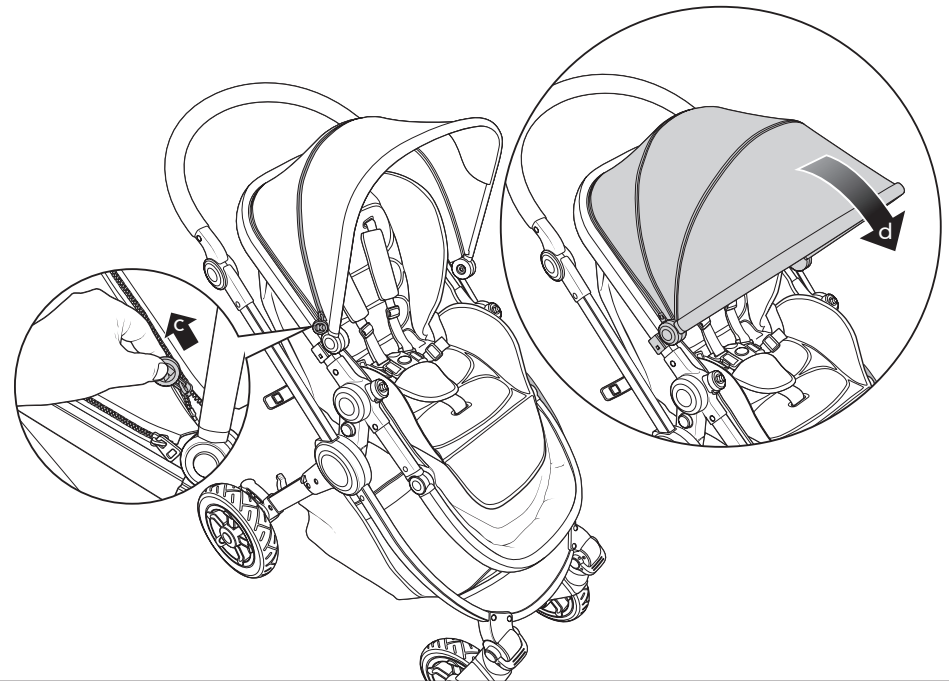
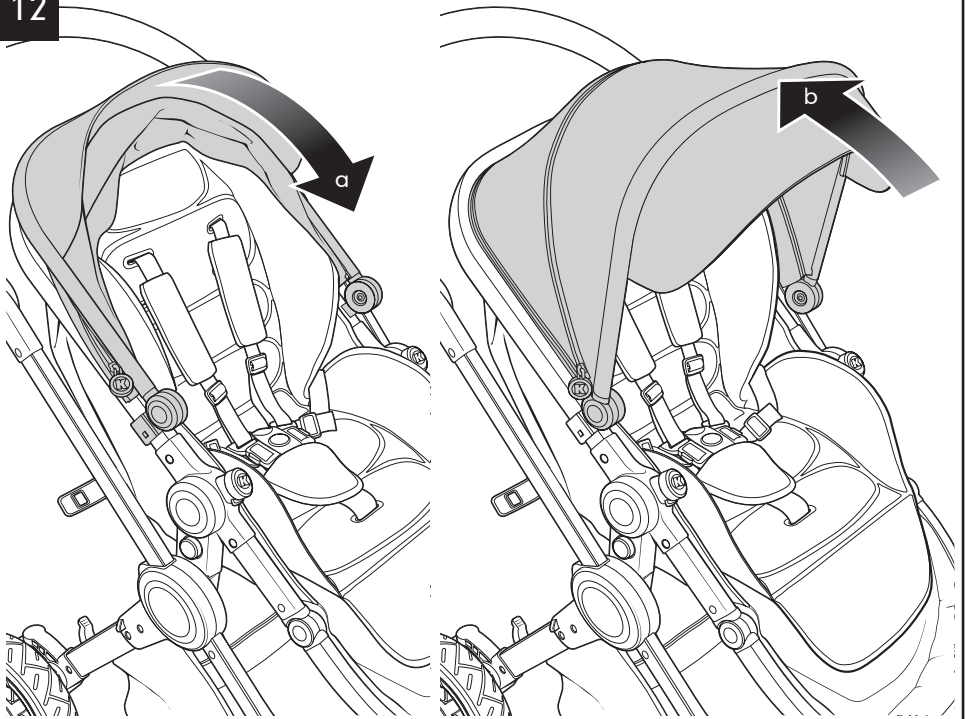


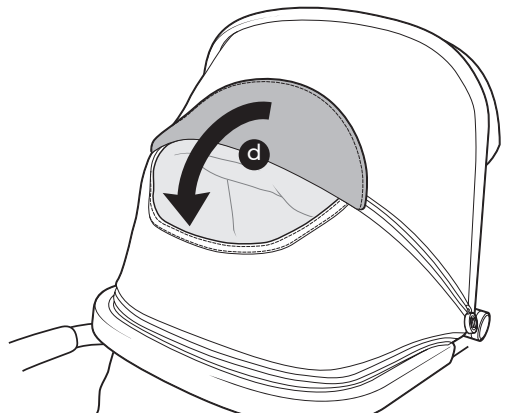
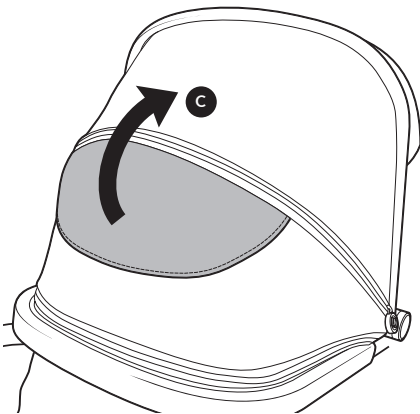
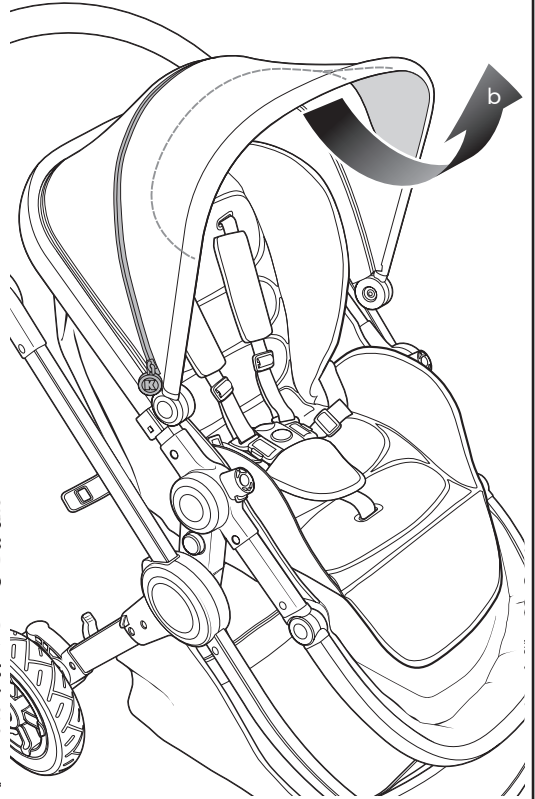
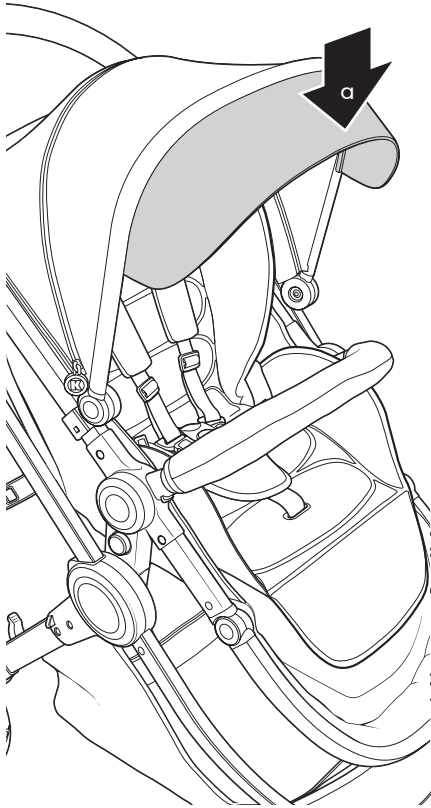


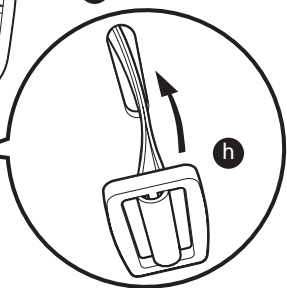
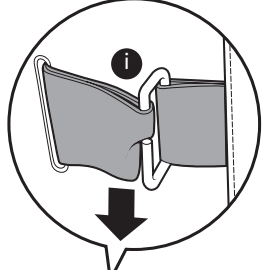
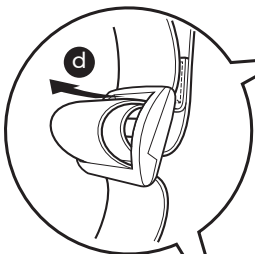
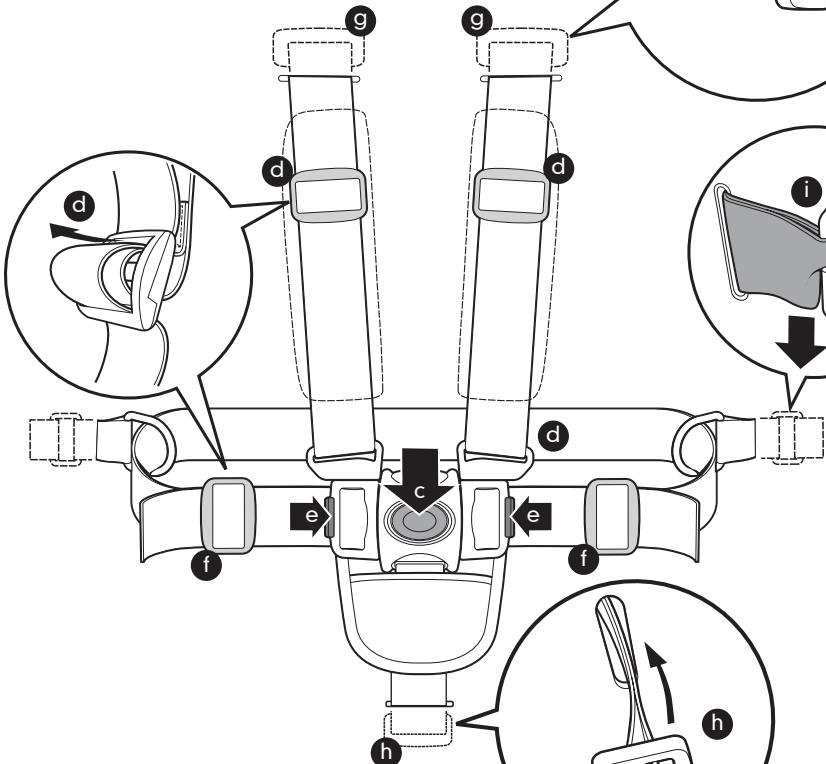
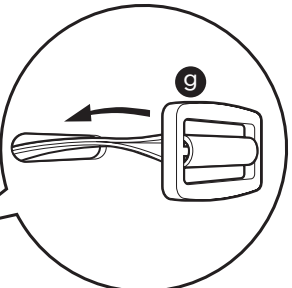
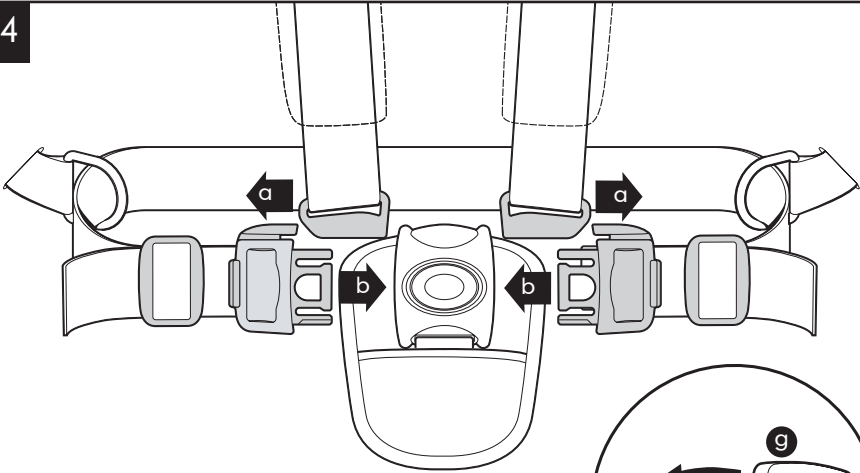


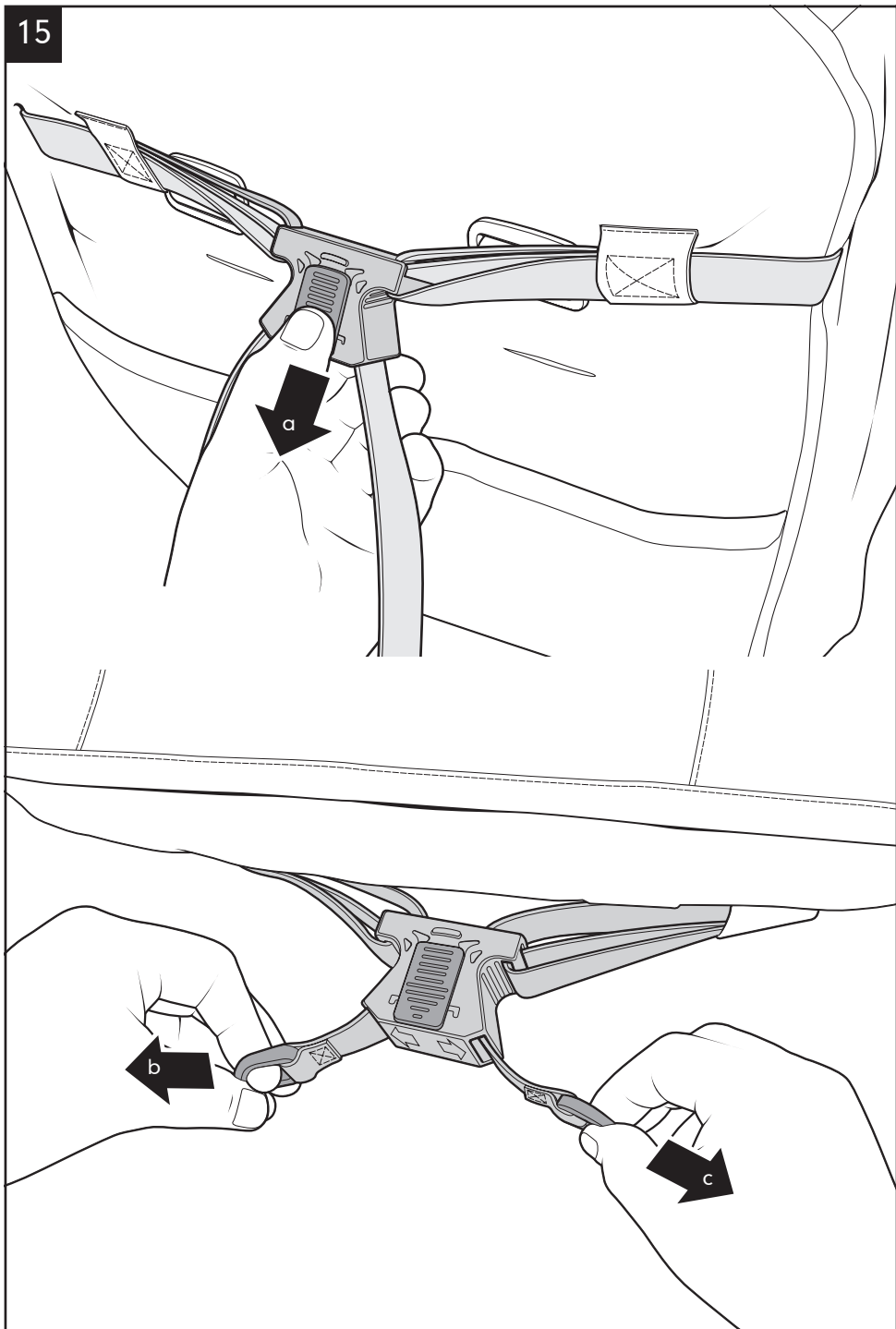




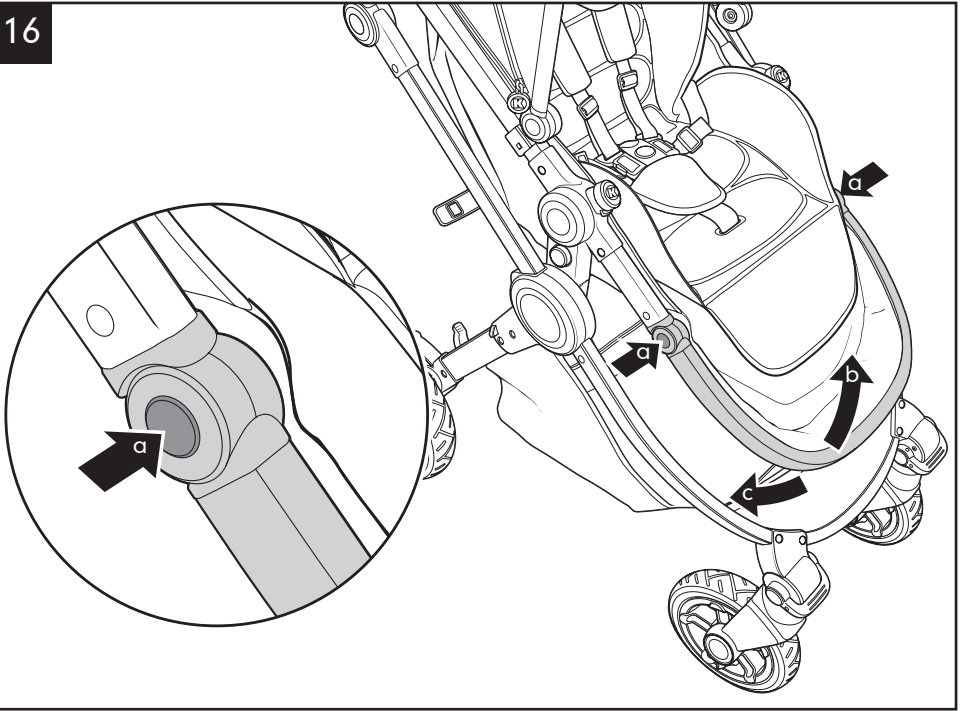




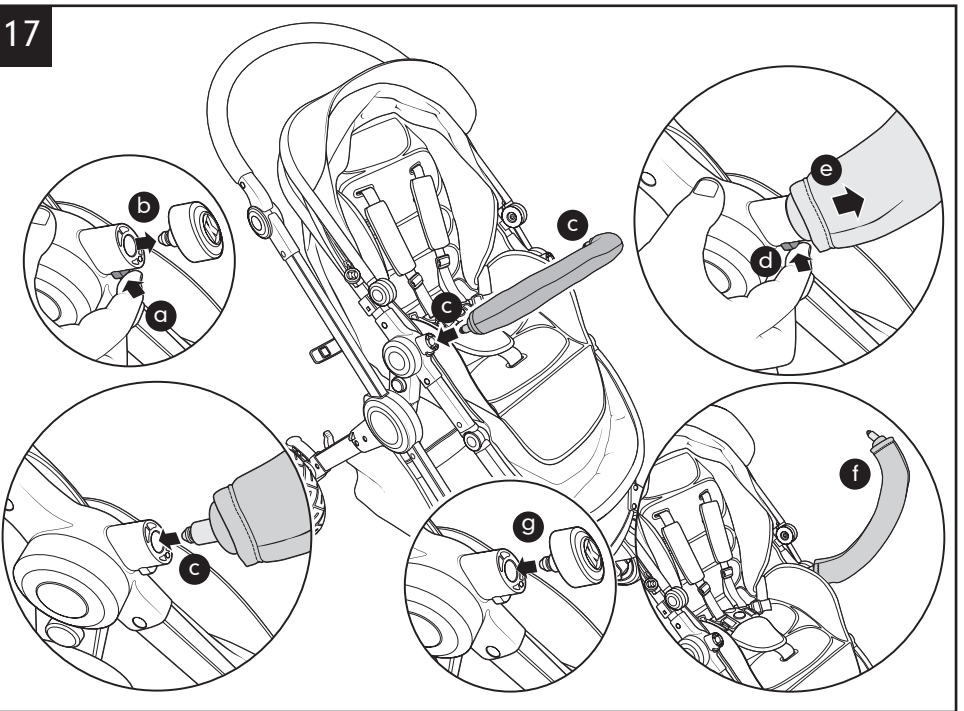


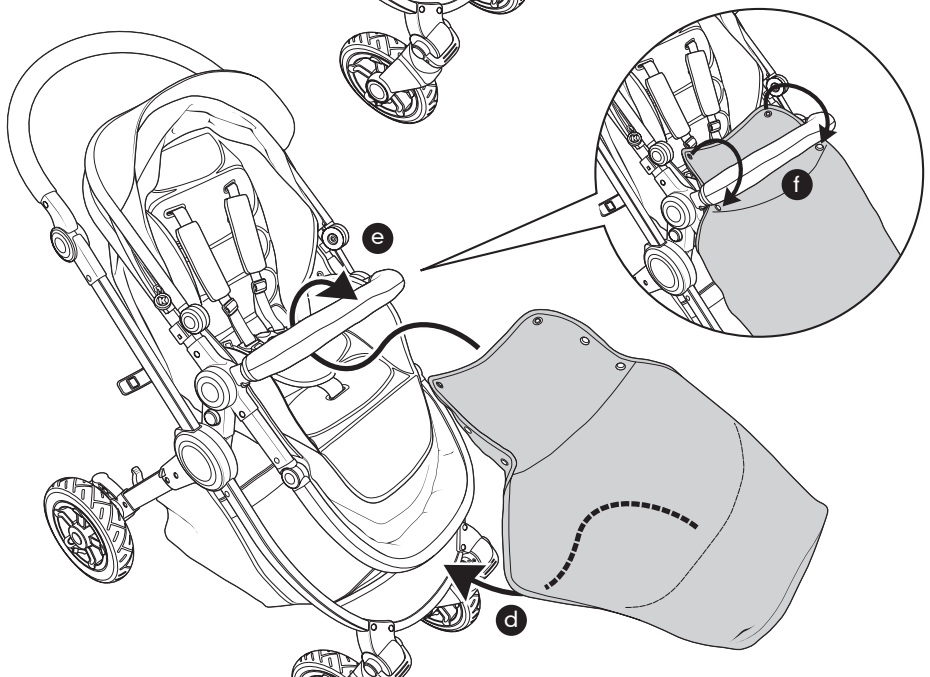
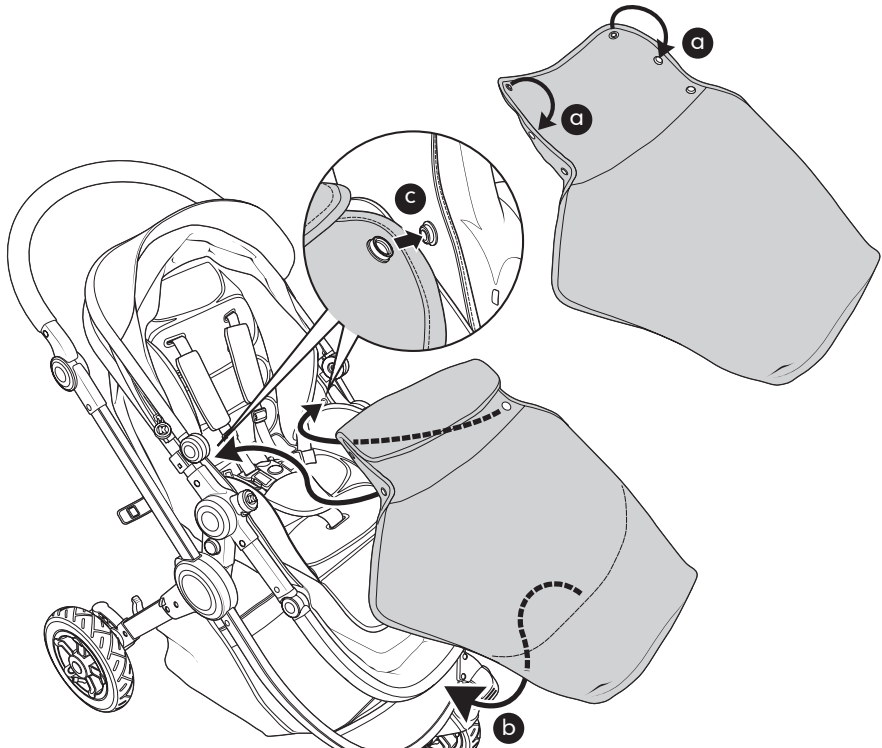


16

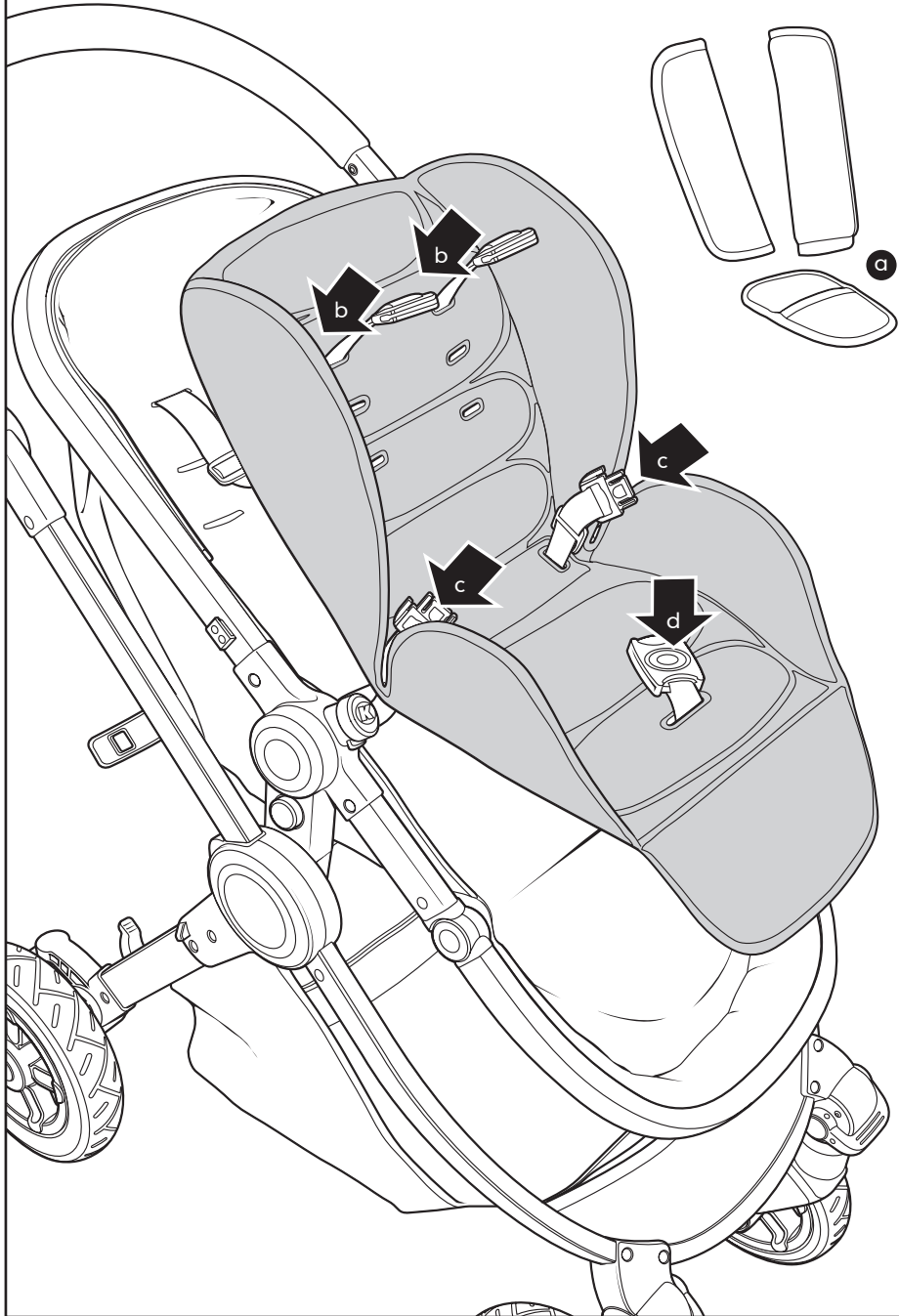


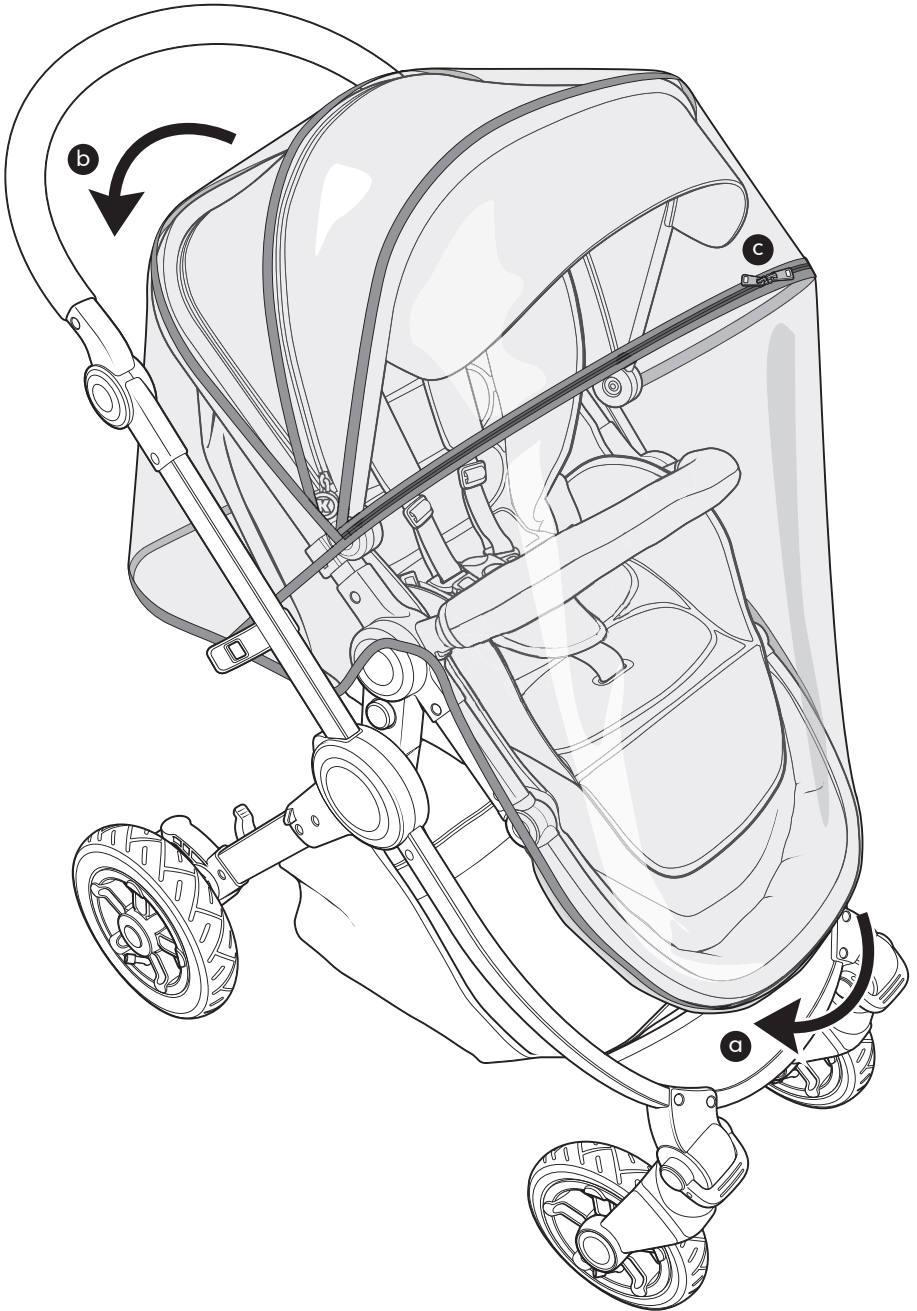
17



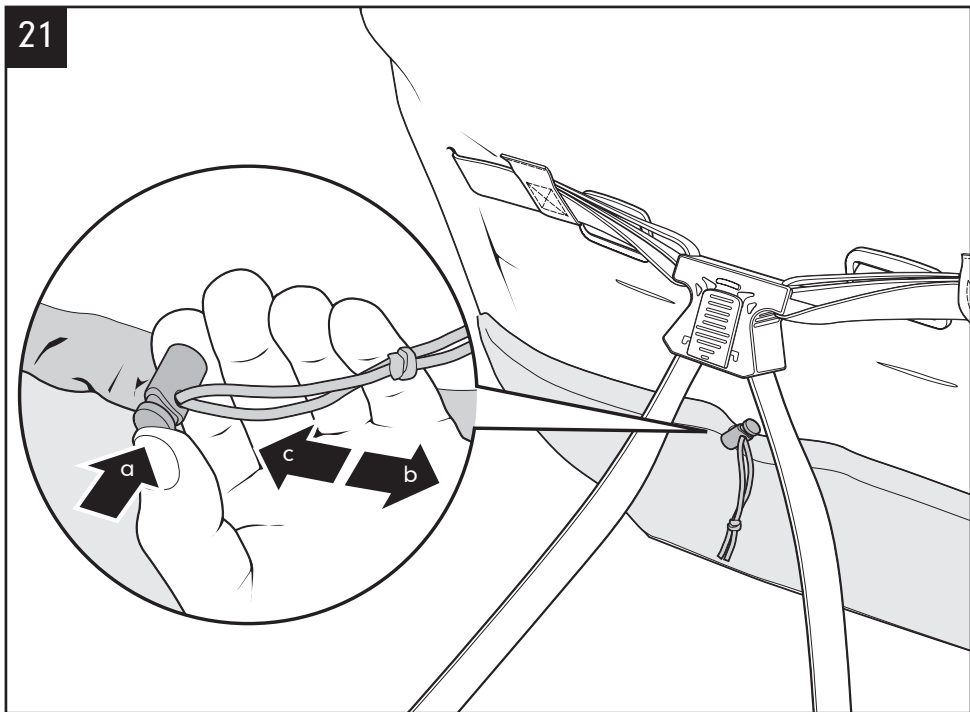




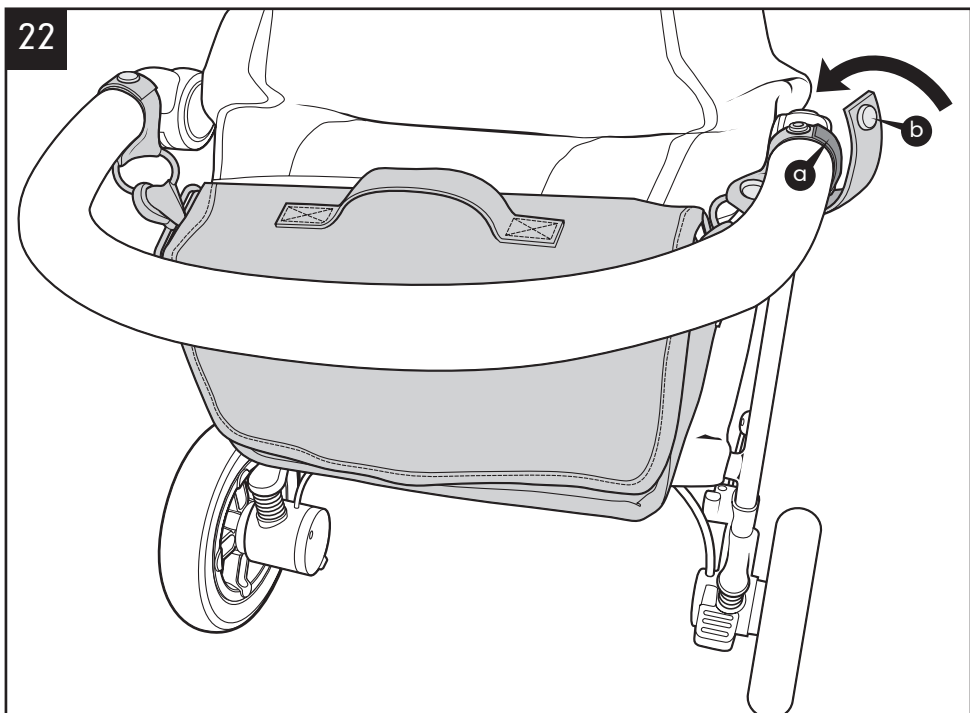


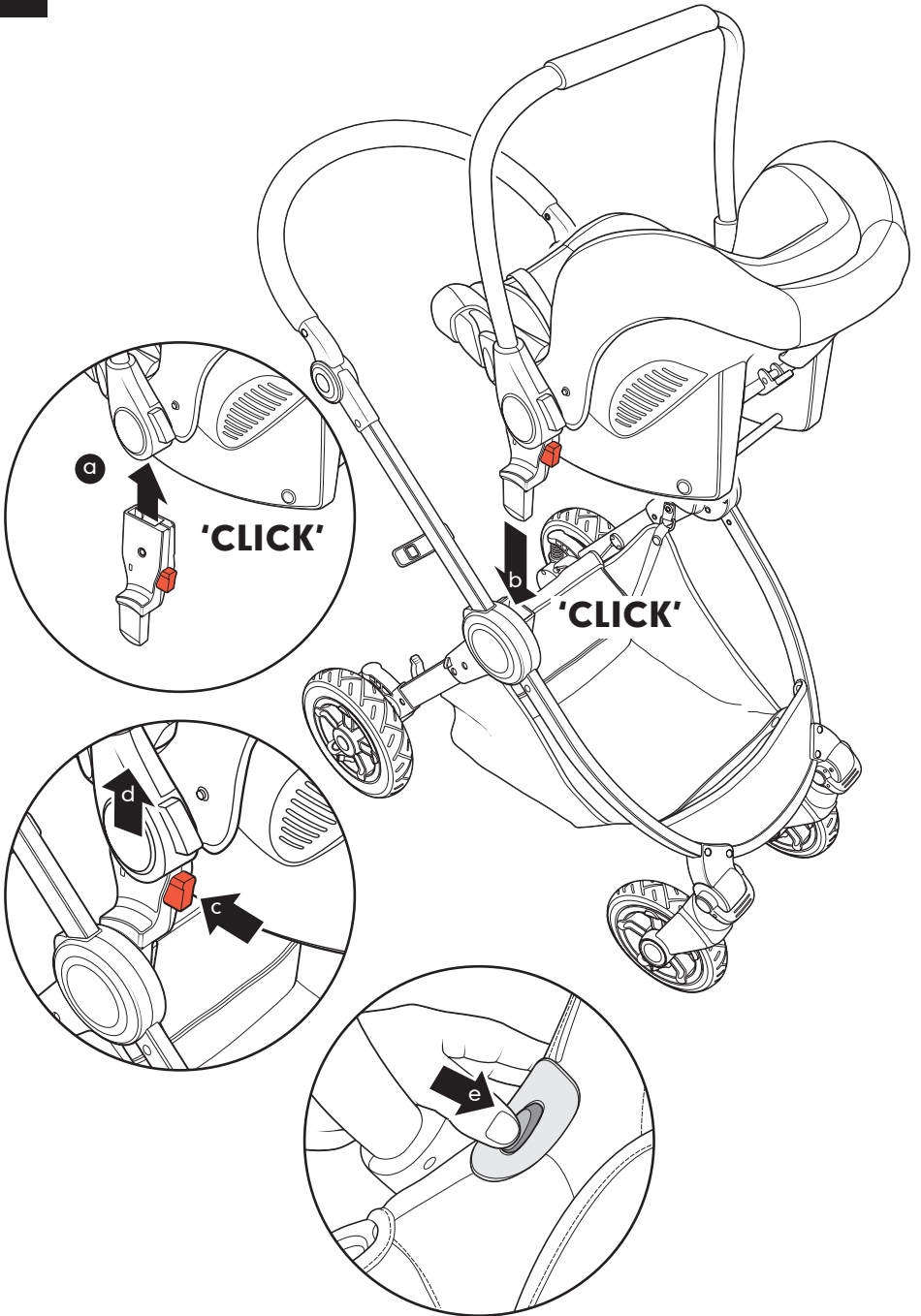


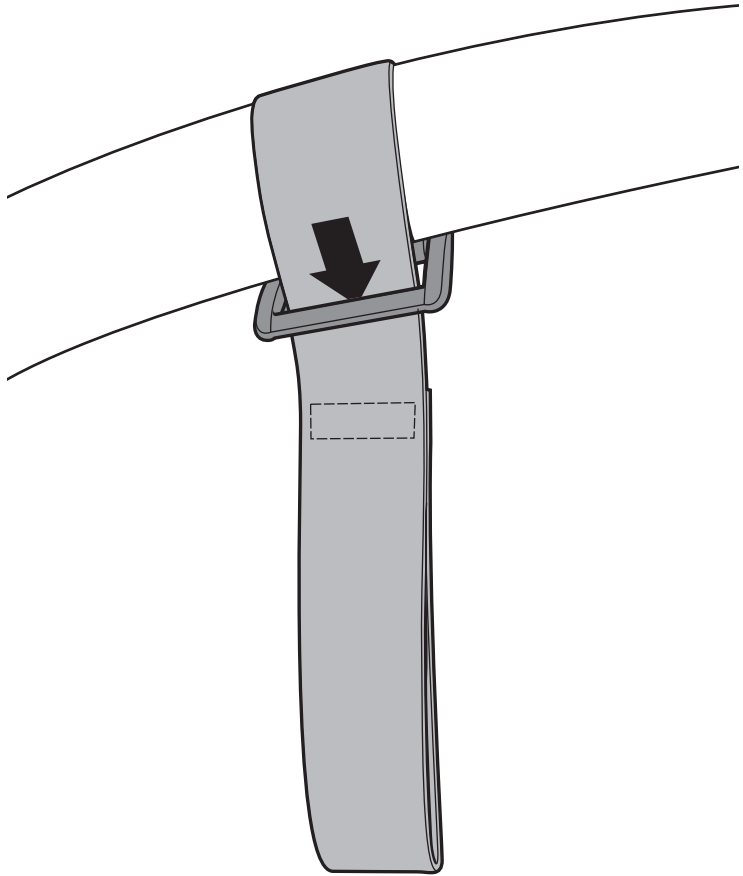
21



22









Cosatto Ltd, Bentinck Mill, Bentinck Street, Farnworth, Bolton,  
Lancashire BL4 7EP, England

UK Freephone: 0800 014 9252\* International t: +44 120 486 1007  
e: [enquiry@koochi.co.uk](mailto:enquiry@koochi.co.uk)

**[www.koochi.co.uk](http://www.koochi.co.uk)**

\*Calls from BT landlines are free but calls from mobiles and other networks may vary.

All the design and trademarks contained herein are the property of Cosatto Limited.  
No part of this document may be reproduced without permission of Cosatto Limited.