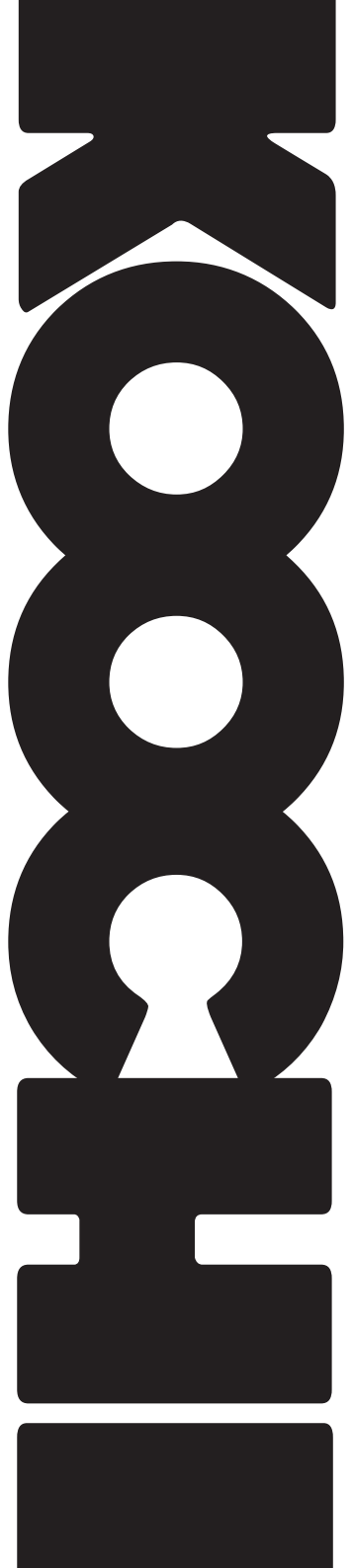




PUSHMATIC

PUSHCHAIR

GET IN. GET OUT.



IMPORTANT:

KEEP THESE INSTRUCTIONS FOR FUTURE REFERENCE

Read these instructions carefully. Your child's safety may be affected if you do not follow these instructions

WELCOME

Thank you for choosing a Koochi product. Please take a little time to read the important safety notes detailed below. This will ensure many years of happy, safe use.

SAFETY: TAKE NOTE

WARNING: A CHILDS SAFETY IS YOUR RESPONSIBILITY

WARNING: Never leave your child unattended.

WARNING: Ensure that all locking devices are engaged before use.

WARNING: To avoid injury ensure that your child is kept away when unfolding and folding this product.

WARNING: Do not let your child play with this product.

WARNING: Always use the restraint system.

WARNING: Any load attached to the handle affects the stability of the pushchair.

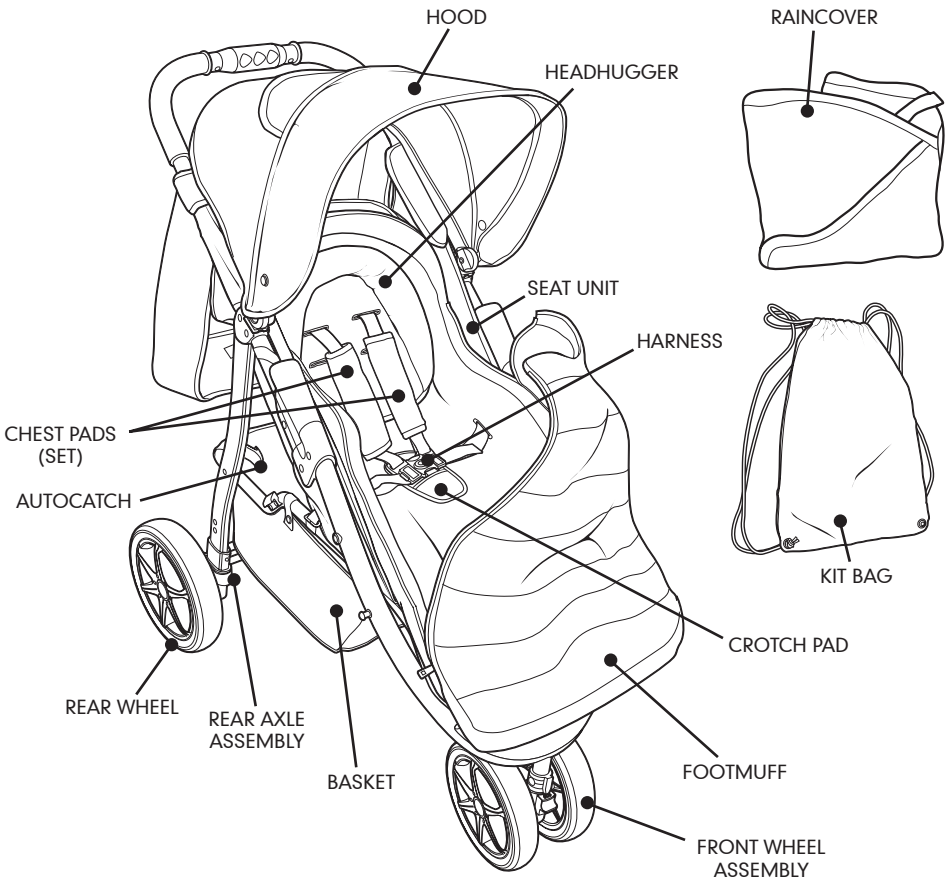
WARNING: This product is not suitable for running or skating.

- This pushchair is intended for children from birth up to a maximum user weight of 15kg.
- Recline the seat to the most reclined position for new born babies until they can sit up unaided.
- Brake should be engaged when placing and removing the children.
- Children should be harnessed in at all times and never left unattended. The child should be clear of moving parts while making adjustments. This vehicle requires regular maintenance by the user.
- Do not use replacement parts or accessories other than those approved by Koochi as they may render the pushchair unsafe.
- Overloading, incorrect folding, and the use of non-approved accessories or spare parts may damage or break this pushchair and could render the product unsafe.
- Any additional load attached to the handle and/or on the back of the backrest and/or on the sides of the vehicle will affect the stability of the vehicle.
- A basket is provided for the carriage of goods, evenly distributed, up to a maximum weight of 2kg.
- Never leave raincovers on indoors, in a hot atmosphere or near a heat source as the baby could overheat.
- Ensure all users are familiar with the products operation. It should always open and fold easy. If it does not, do not force the mechanism - stop and read the instructions.
- Do not use your pushchair in a manner for which it is not designed.
- Ensure your child wears a correctly fitted and adjusted harness at all times. D-rings are provided on the existing harness for the attachment of a separate safety harness approved to BS EN 13210 should this be required.

- Do not allow your child to climb unassisted into, play with or hang onto your pushchair.
- Do not use a platform with this pushchair as it may render the pushchair unsafe.
- Always apply the brakes when the pushchair is stationary. Hold on to your pushchair when close to moving road vehicles or trains. Even with the brake on the draught from the vehicle may move the pushchair.
- Exercise caution when mounting or dismounting a kerb. Remove your child and fold the pushchair when ascending or descending stairs or escalators.
- Ensure the folded pushchair is stored away from children so that it does not fall and cause injury.
- Never carry a second child on your pushchair.
- This product complies with BS EN 1888:2012

REPLACEMENT PARTS

The replacement parts shown below are available for your product. In the event that you require any of these parts, please contact us at spares@koochi.co.uk



OPERATION

1. LIST OF PARTS

Your pushchair is supplied in one carton and contains:

- | | | |
|--------------|-----------------------|-------------------------|
| 1. Pushchair | 4. Headhugger | 7. Front wheel assembly |
| 2. Hood | 5. Rear axle assembly | 8. Raincover |
| 3. Footmuff | 6. Rear wheel (x2) | 9. Kit bag |

2. OPENING THE PUSHCHAIR

Release the catch (a).

Lift the handle (b) and unfold the chassis until it locks in the open position.

WARNING: Ensure that all locking devices are engaged before use.

3. FITTING THE REAR AXLE ASSEMBLY

Push the rear legs of the pushchair into the mounts on top of the rear axle assembly (a).

Ensure the spring loaded pins on the legs locate in the holes in the mounts (b) and the assembly is secure.

To remove the rear axle assembly push in the spring loaded pins and pull the rear axle assembly clear.

4. FITTING THE REAR WHEELS

To fit a rear wheel push the wheel onto the rear axle assembly until it stops (a). Press the button in the centre of the wheel (b) and push the wheel again until it stops. Release the button and check the wheel is locked in position by pulling the wheel back. Repeat this procedure with the remaining wheel.

To remove a rear wheel, press the button in the centre of the wheel (c) then pull the wheel clear of the axle.

5. FITTING THE FRONT WHEEL ASSEMBLY

Push the front leg of the pushchair into the mount on the front wheel assembly (a) until the tabs on the front leg clear the base of the assembly (b) to lock it in place.

To remove the front wheel assembly press in the tabs (c) on the front leg then pull the assembly clear.

6. USING THE SWIVEL WHEEL LOCK

Engaging the swivel lock: Move the front wheel assembly until the pin on the pushchair leg and the lever on the wheel assembly align. Lift the lever to engage the swivel lock (a).

Releasing the swivel lock: Push the lever down to release the swivel lock.

7. USING THE BRAKE

To apply the brake, press the lever down firmly with your toe (a). Test the brake is engaged correctly by trying to push the pushchair forwards for a short distance. To release the brake, raise the lever (b).

NOTE: Always apply brake before loading or unloading a child from the pushchair.

8. ADJUSTING THE HEIGHT OF THE SEAT

The adjuster for raising and lowering the seat position is located behind the seat.

To lower the backrest push the button downwards to unlock the adjuster (a) and slide the adjuster until the seat is in the desired position (b).

To raise the backrest slide the adjuster upwards (c) whilst holding webbing (d).

9. USING THE HARNESS

A five point harness is provided to restrain your child.

To fasten the harness push the shoulder strap clips on to the waist strap clips (a) then push

the waist strap clips into the buckle (b) until they lock in place.

To unfasten push the button in the centre of the button (c) then pull the waist straps clear.

The harness should be carefully adjusted so your child fits comfortably. The length of the shoulder straps can be changed by the strap adjusters (d). The waist straps can be adjusted by pressing in the buttons (e) on the waist strap clips and the slide adjusters (f).

'D' rings are fitted at the end of each waist strap should you wish to attach a separate harness complying to BS EN 13210.

WARNING: Always use the crotch strap in combination with the waist belt

10. REMOVING THE HARNESS

The harness can be removed for cleaning purposes. To remove the shoulder straps, unzip the pocket at the rear of the seat (a) and push the plastic clips through from the backrest slots (b). To remove the crotch strap, push the plastic clip through the slot under the seat unit (c). To remove the waist straps, first unfasten the webbing by feeding the edge of the webbing through the opening in the metal clip (d) and push the metal clips through from the rear of the seat unit.

To refit the harness and chest pads reverse the instructions above.

11. ADJUSTING THE CALF SUPPORT

To adjust the position of the calf support press the buttons (a) on either side of the pushchair and lift (b) or lower (c) the calf support.

Release the buttons when the calf support is in the desired position.

12. FITTING THE FOOTMUFF AND HEADHUGGER

Release the harness buckle and slide the chest pads off the shoulder straps.

Remove the crotch strap (see step 11).

Unzip the footmuff cover to gain access to the waist strap and crotch strap slots

Push the shoulder straps through the slots in the footmuff and headhugger (a).

Push the waist straps through the slots in the footmuff (b).

Push the crotch strap through the slot in the footmuff and seat (c).

Push the Velcro® tabs (d) through the slots on each side of the backrest and fasten at the back (e).

Refit the chest pads to the shoulder straps and refasten the harness.

Removal of the footmuff and headhugger are a reversal of this procedure.

13. FITTING THE HOOD

Place the back of the hood over the back of the pushchair as shown.

Slide the clips at the base of the hood hinge on to the mounts on either side of the pushchair (a) until they lock in position.

Velcro® strips secure the hood material at (b) & (c).

To remove the hood release the Velcro® strips and then push clips off the pushchair on either side (d).

14. USING THE HOOD

Pull the top of the hood forward to raise the hood (a).

Push the top of the hood back to lower the hood (b).

A flap (c) secured by Velcro® strips can be lifted to view inside the pushchair.

15. REMOVING THE BASKET

Your shopping basket is removable for easier cleaning. To remove the shopping basket, undo the 3 press studs at the back of the basket (a) and the straps on the sides (b) and

at the front under the seat (c). To re-fit the shopping basket, simply reverse the process. Maximum load 2kg (4lb).

16. ATTACHING THE RAINCOVER

Lay the raincover over the pushchair as shown.

Secure the raincover to each side of the hood with press studs (a) and to the side of the pushchair chassis (b) and the front wheel assembly leg (c) with the popper straps.

17. FOLDING YOUR PUSHCHAIR

It is recommended to put the seat in the most upright position and fold the hood completely back prior to folding your pushchair.

- (1) Press the button (a) under the handle.
- (2) Whilst holding the button, rotate the handle forwards (b) fully.
- (3) At the same time lift the lever (c) on the side of the pushchair.
- (4) Push down on the handle to fold the chassis (d).
- (5) Once the chassis is folded, push the catch (e) onto the locking pin to lock the pushchair in the closed position.

CARE

Your pushchair has been designed to meet safety standards and with correct use and maintenance will give many years of trouble free performance.

The chassis is strong but will weaken should the rear wheels be bumped down stairs or kerbs. Continual impact will cause damage.

If your child wears hard shoes these might damage the soft fabric.

Storing a damp pushchair will encourage mildew to form.

After exposure to damp conditions, dry off with a soft cloth, open fully and allow to dry thoroughly before storing.

Store your pushchair in a dry, safe place.

Do not leave the pushchair in sunlight for prolonged periods - some fabrics may fade.

MAINTENANCE

This pushchair requires regular maintenance by the user.

Koochi products are designed to operate with minimum maintenance, however regular lubrication of moving parts will extend the life of your pushchair and make opening and folding easier.

Should parts of your pushchair become stiff or difficult to operate, apply a light application of a spray lubricant e.g. silicone. Do not use oil or grease.

Regularly inspect the locking devices, brakes, wheels, harness assembly, catches, seat adjusters, joints and fixtures to ensure they are secure and in full working order. They should be free to move at all times.

Brakes and wheels are subject to wear and should be replaced if necessary.

Your pushchair should be serviced and reconditioned before using it for a second baby, or within 18 months, whichever is the sooner.

CLEANING

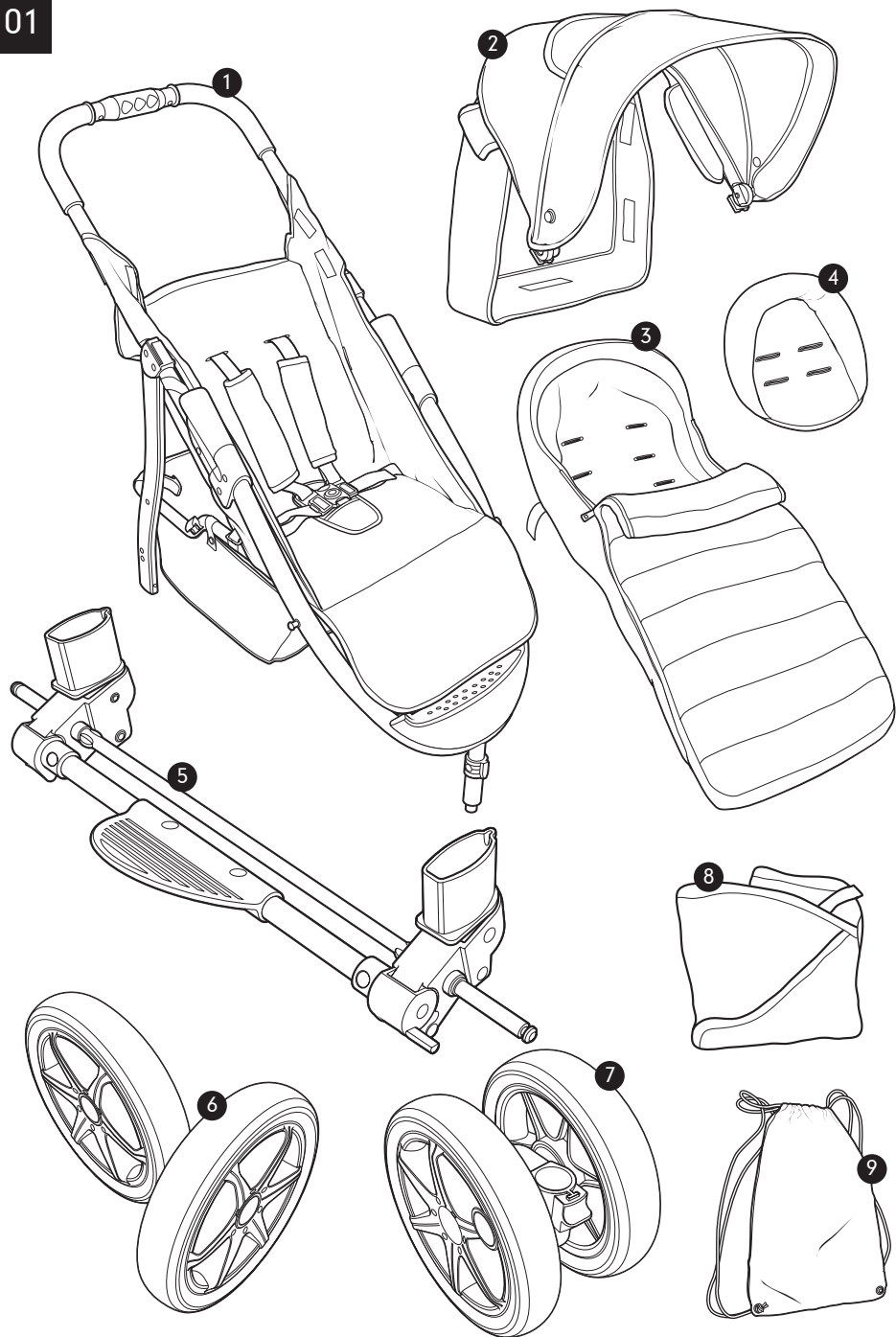
The hood may be cleaned by sponging lightly using warm water and a mild detergent.

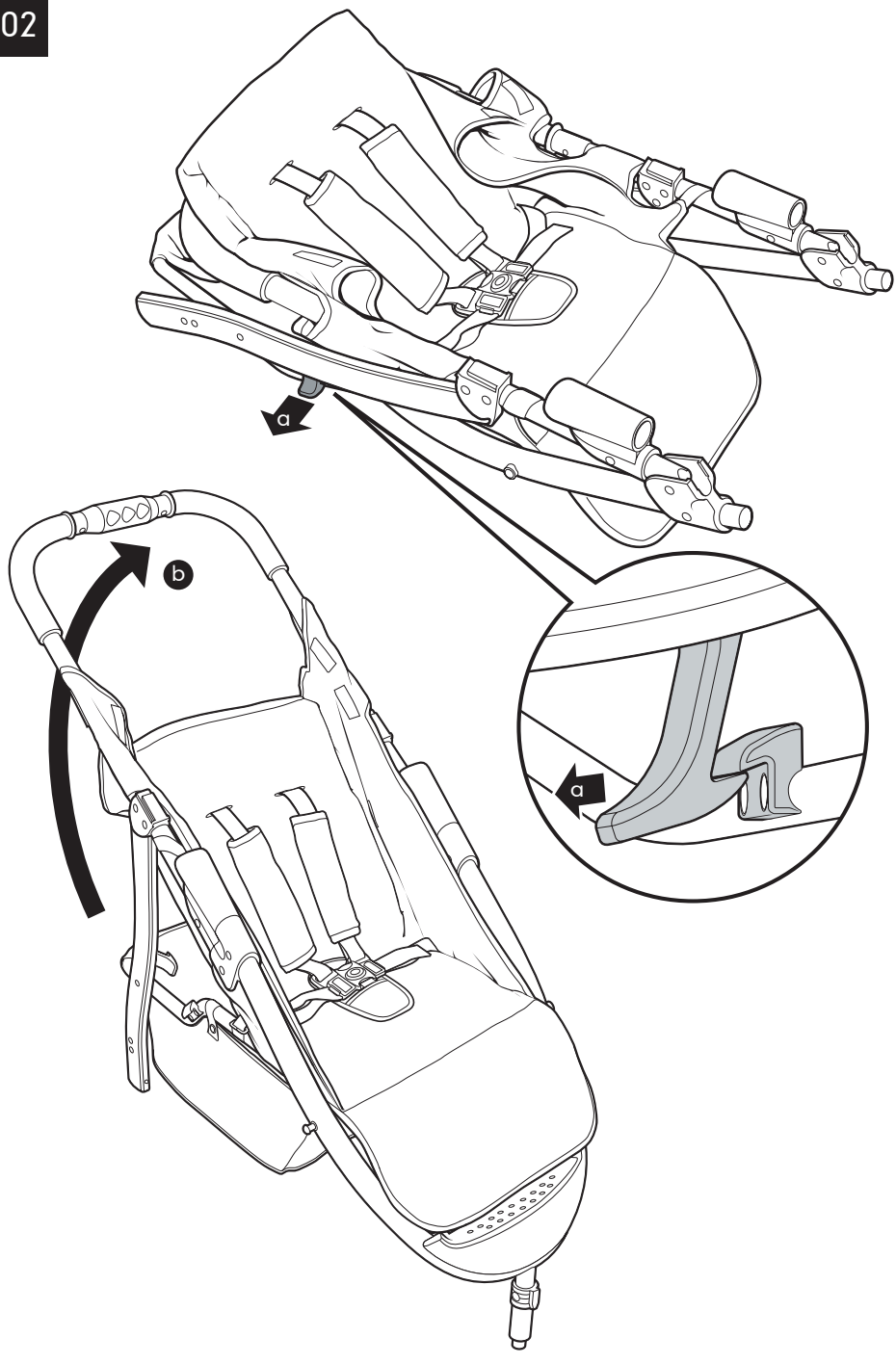
Plastic and metal parts may be sponged clean with warm water and a mild detergent.

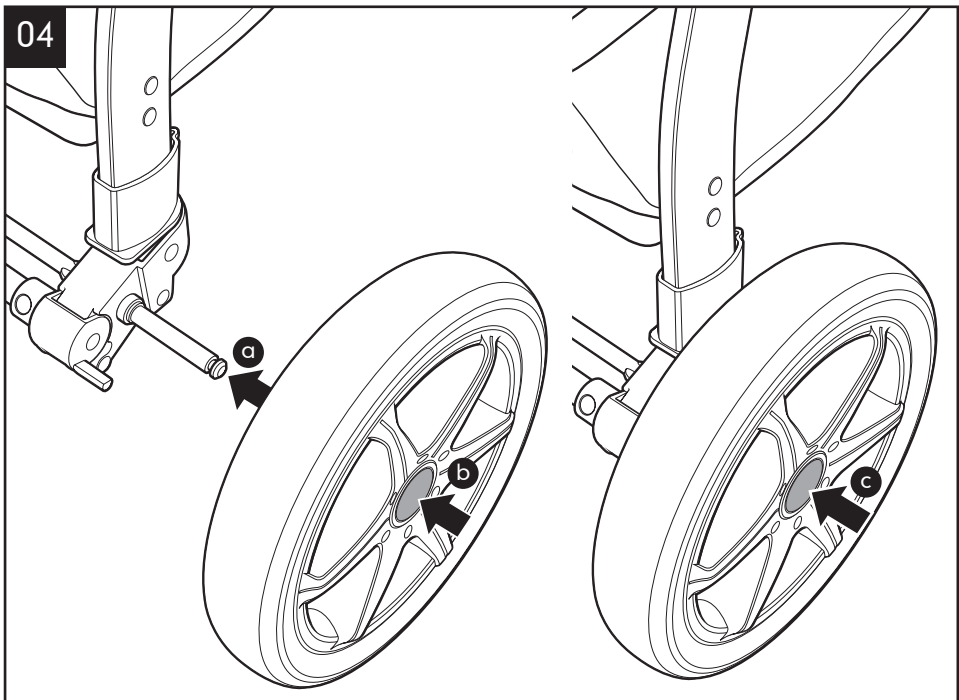
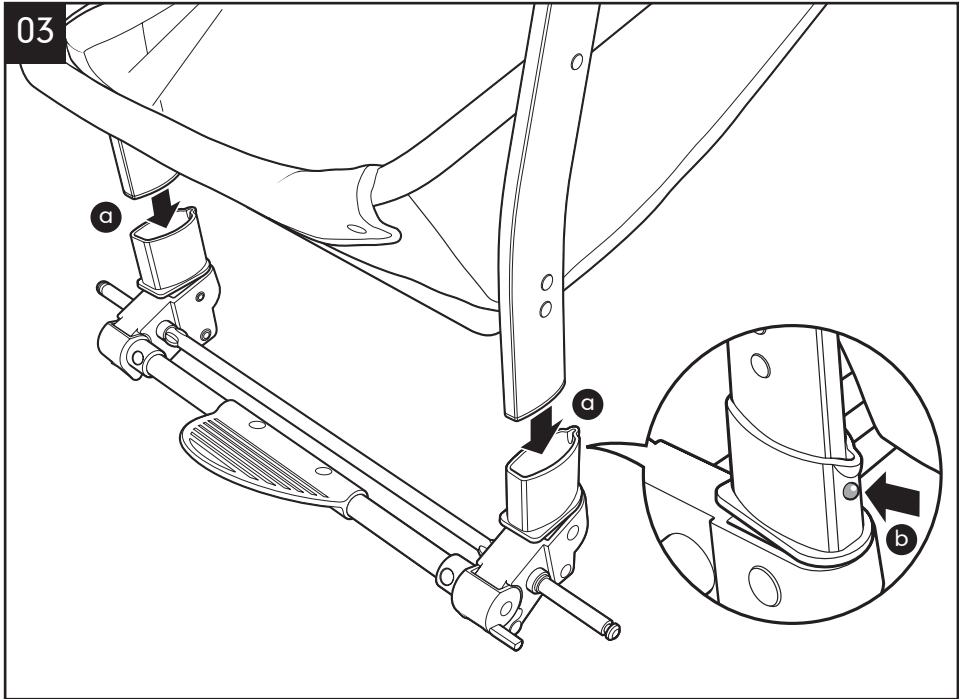
Never clean with abrasive, ammonia based, bleach based or spirit type cleaners.

Please follow the wash care instructions stated on the wash care label located on the soft goods.

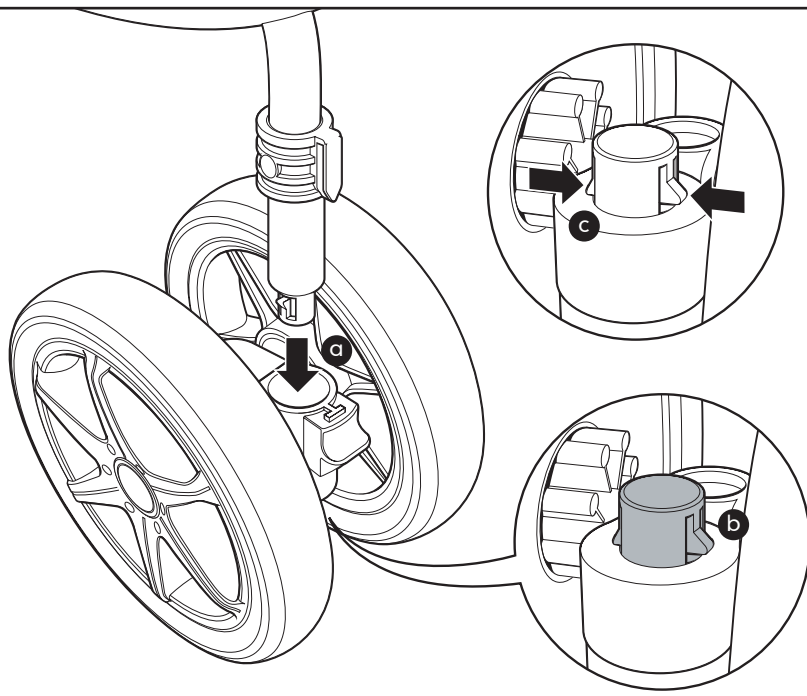
01



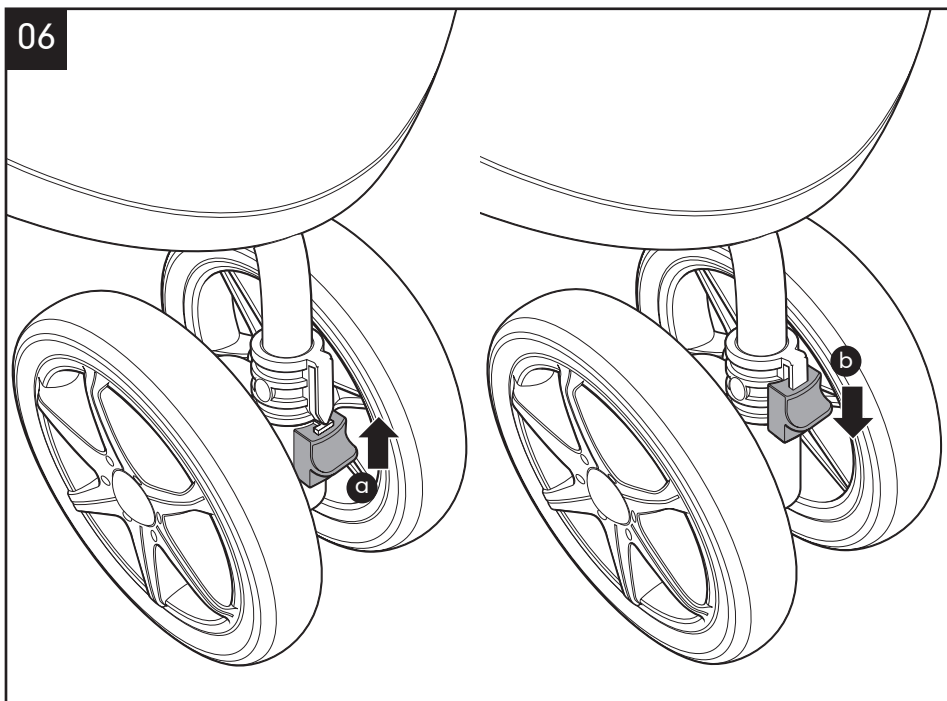


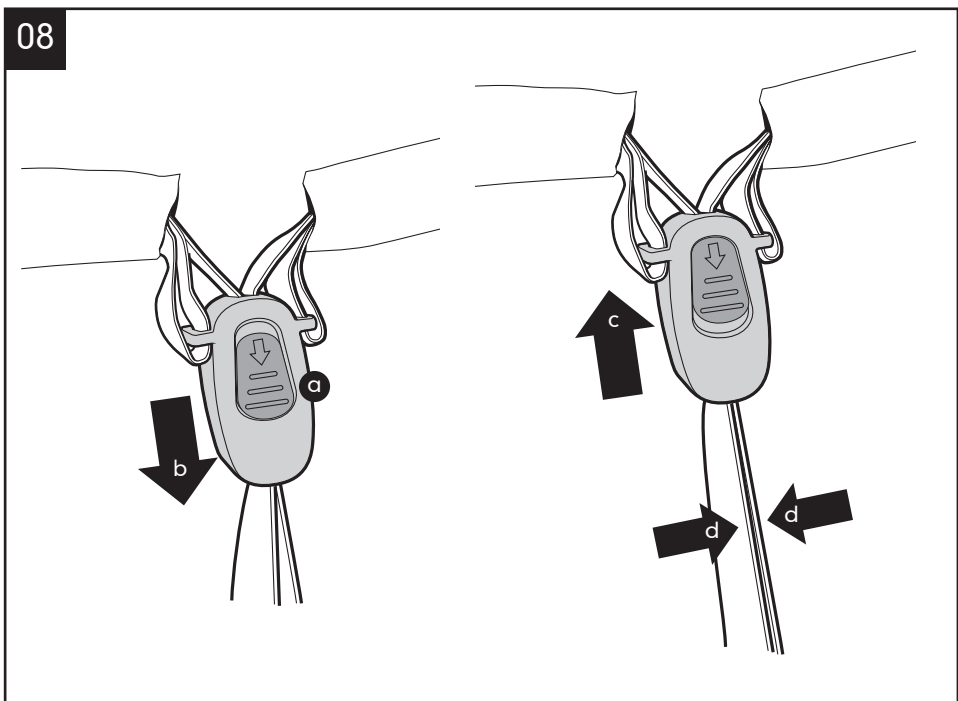
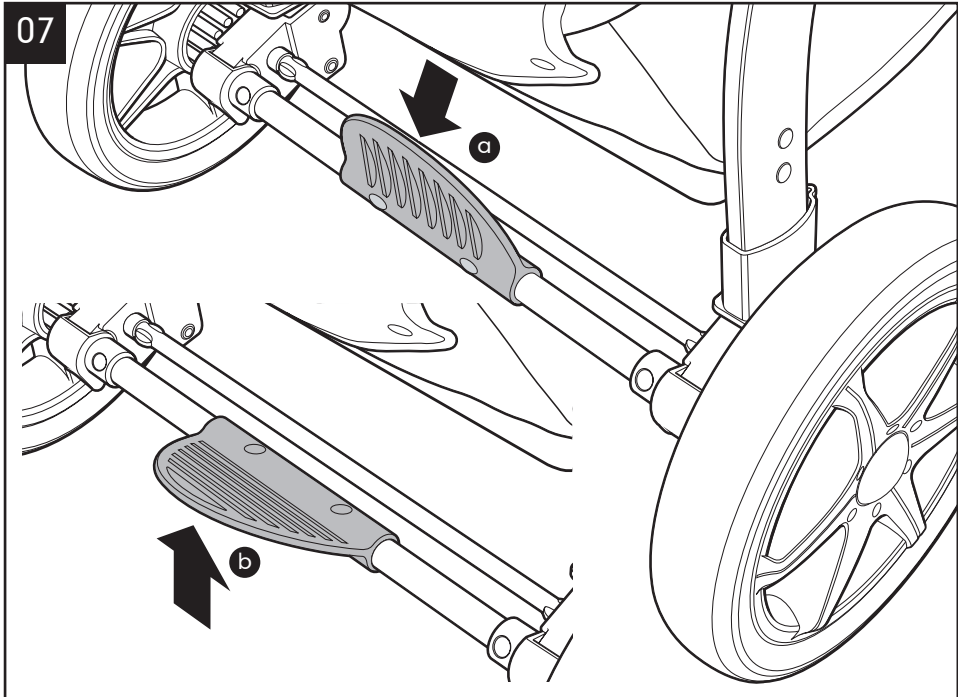


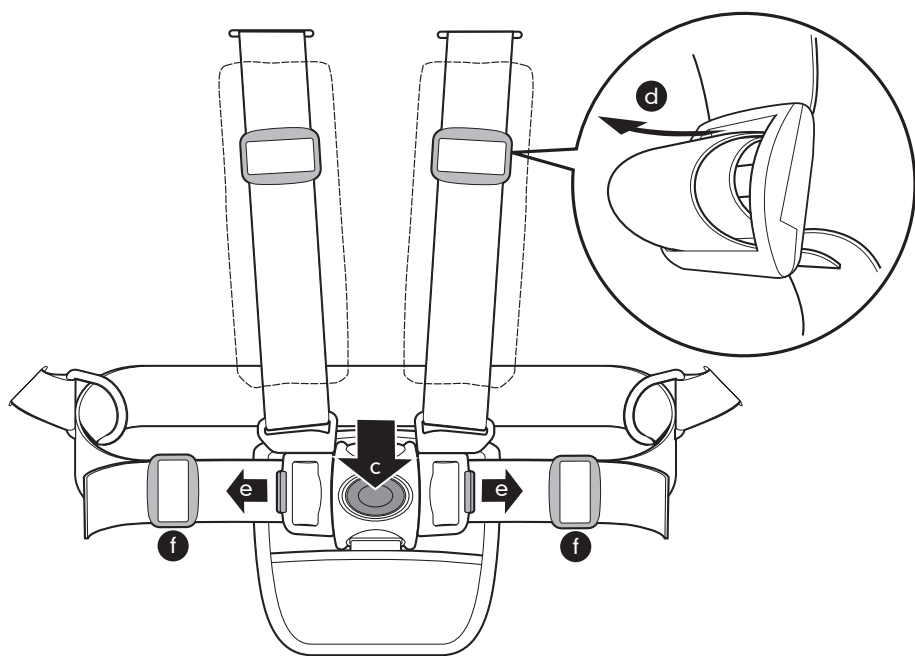
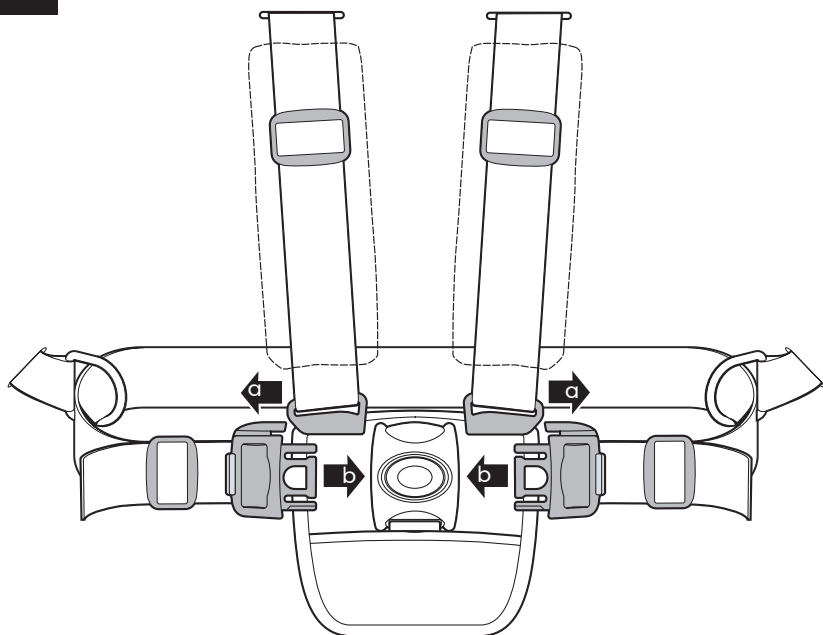
05

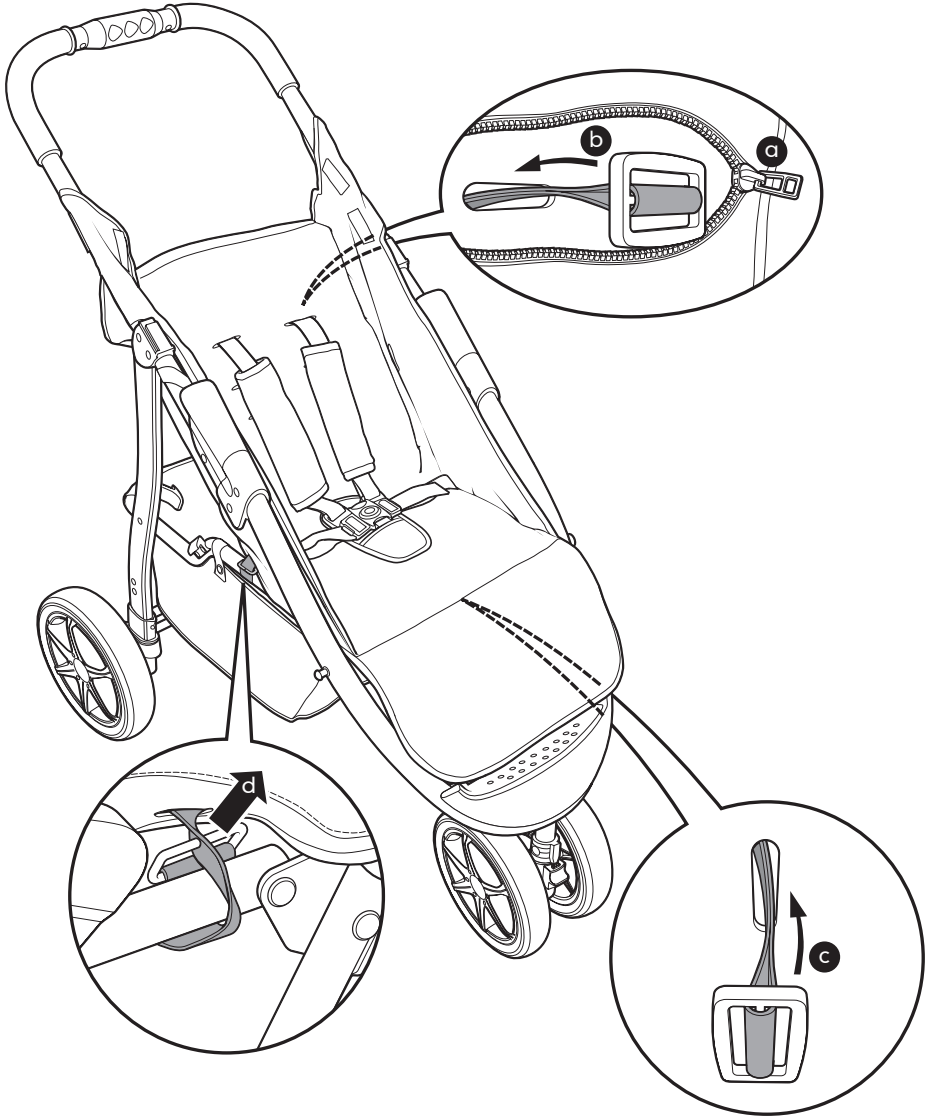


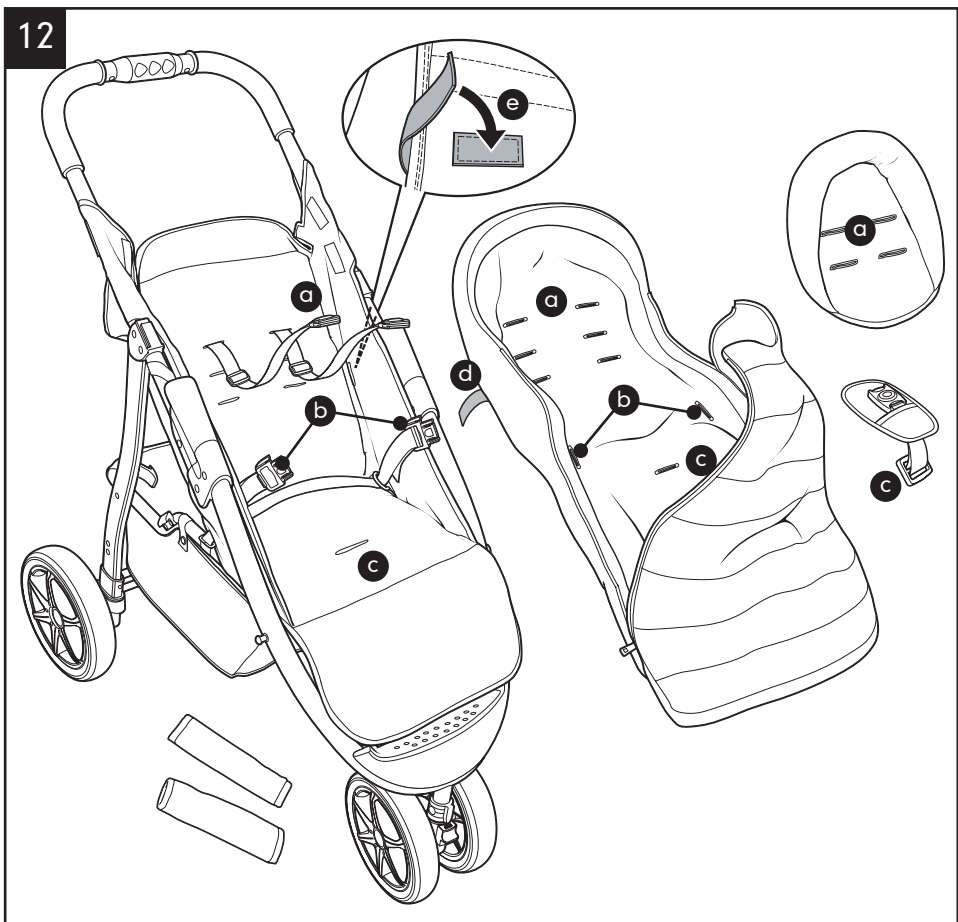
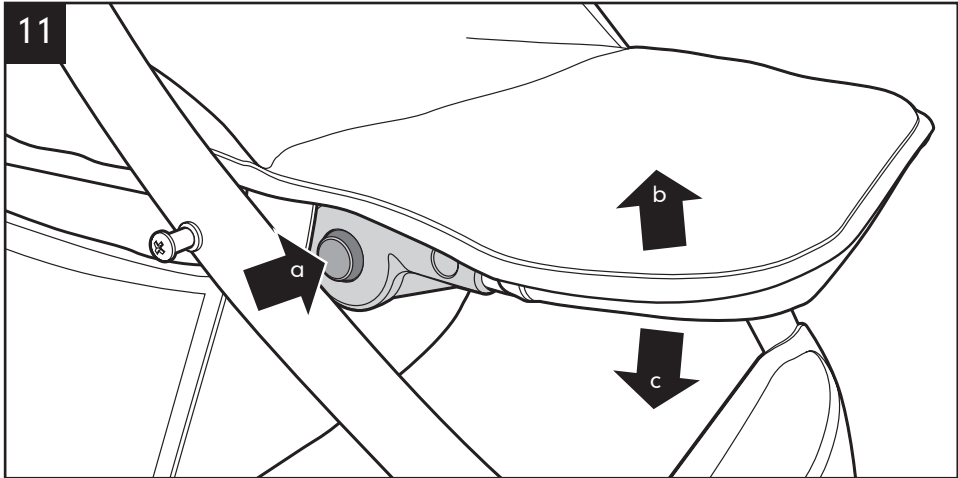
06



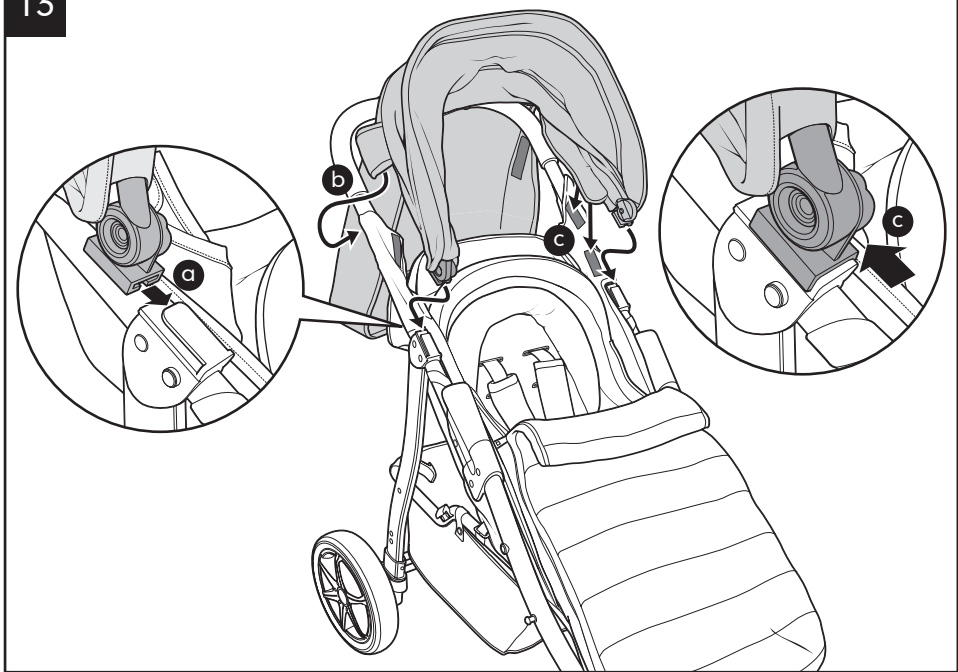




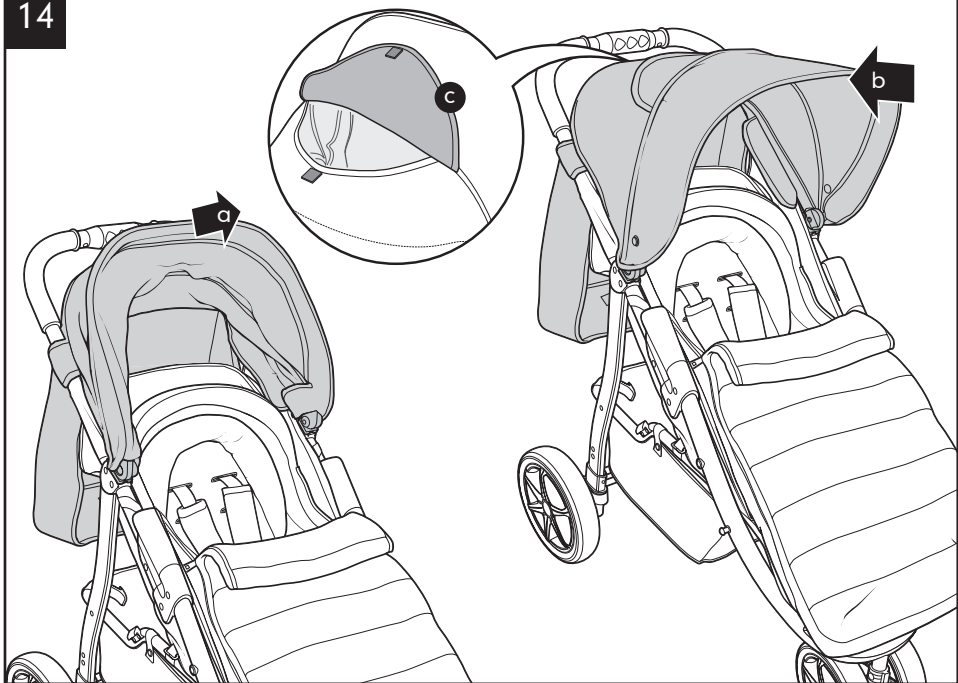




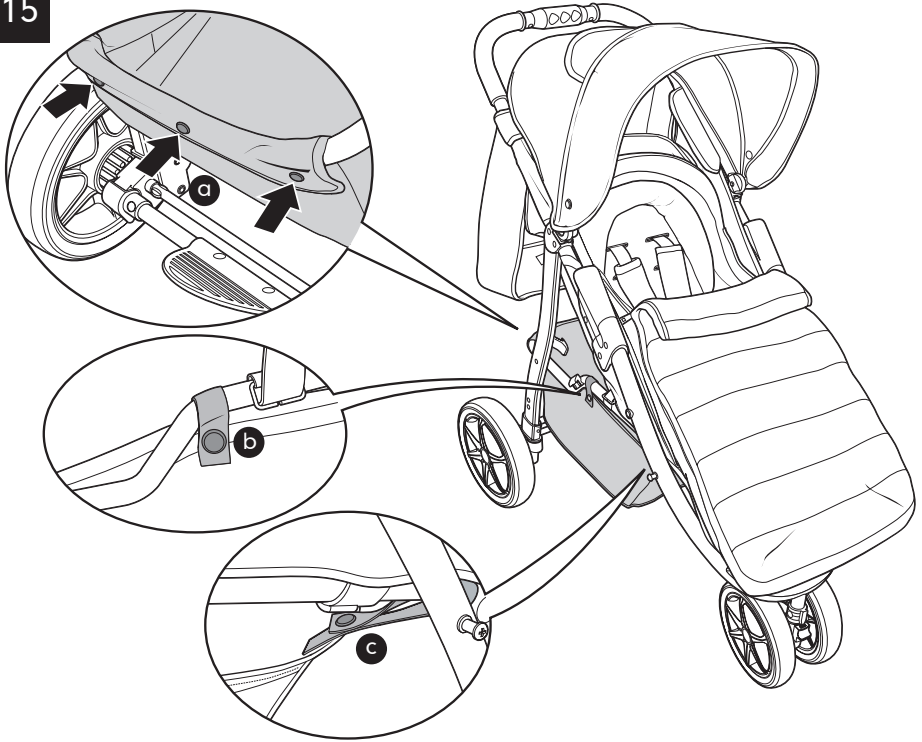
13



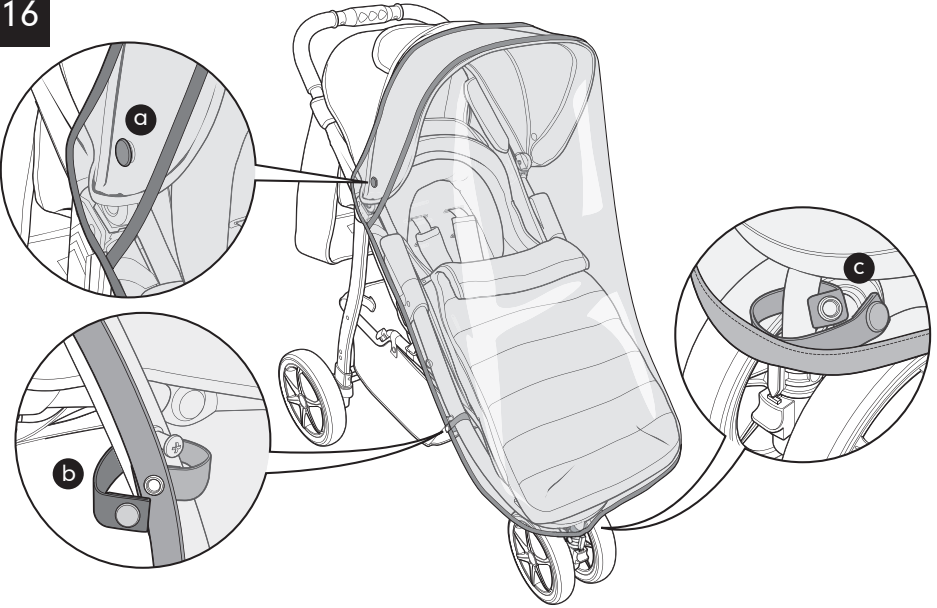
14

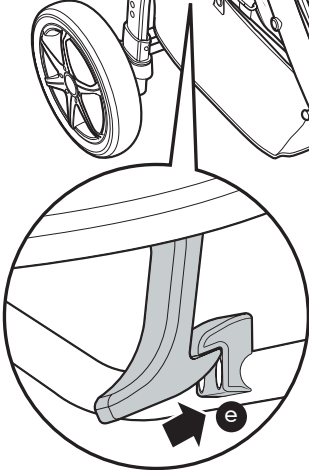
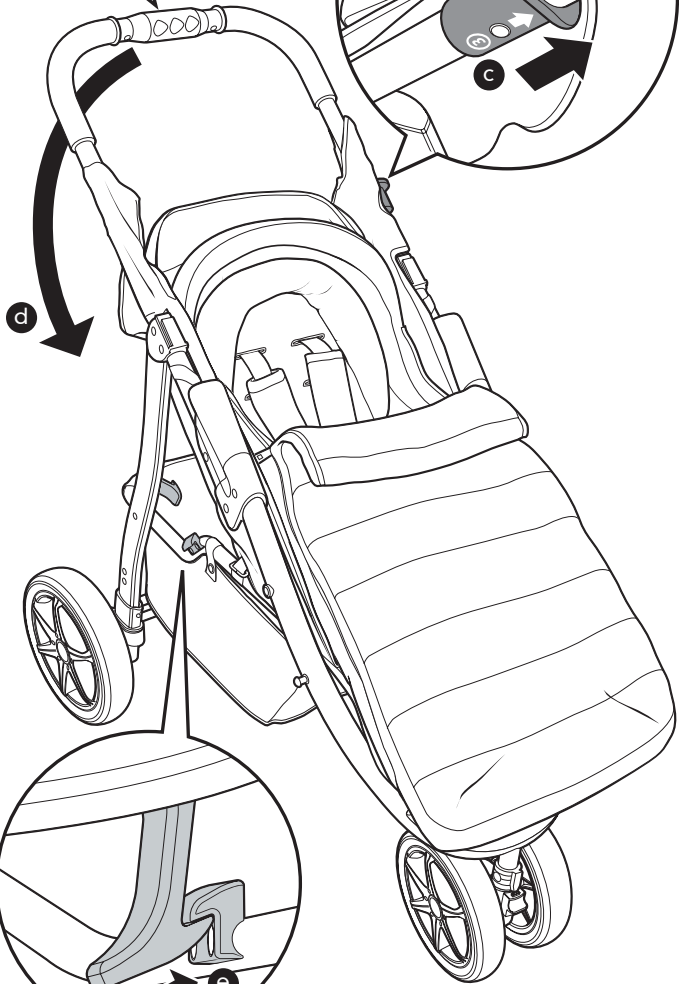
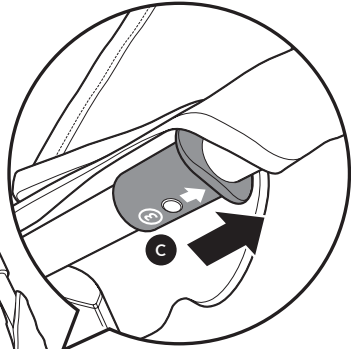
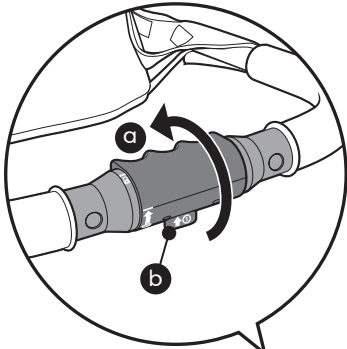


15



16







Cosatto Ltd, Bentinck Mill, Bentinck Street, Farnworth, Bolton,
Lancashire BL4 7EP, England

t: (0)871 977 3900 f: (0)870 977 3910 e: enquiry@koochi.co.uk

Calls to this number cost 10p per minute at all times from BT landlines.

Calls from other networks including mobiles may be higher.

koochi.co.uk

All the design and trademarks contained herein are the property of Cosatto Limited.
No part of this document may be reproduced without the permission of Cosatto Limited.